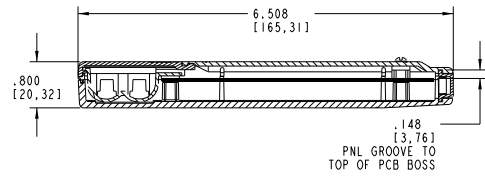
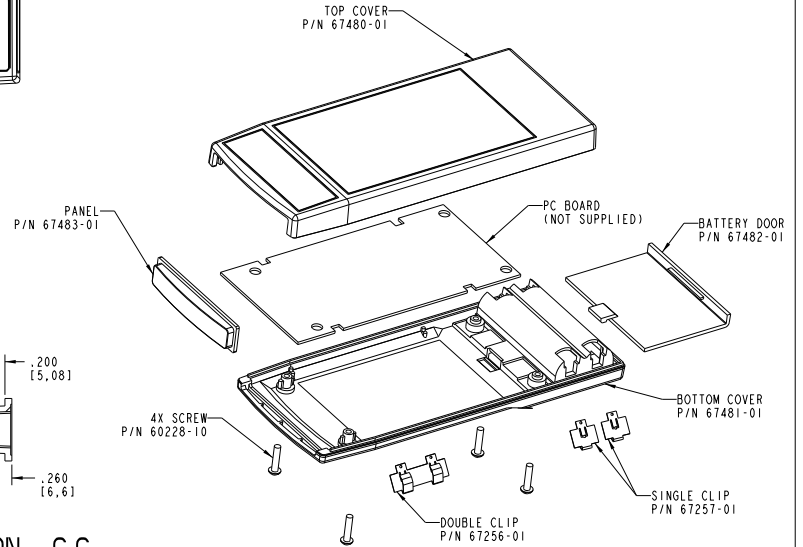
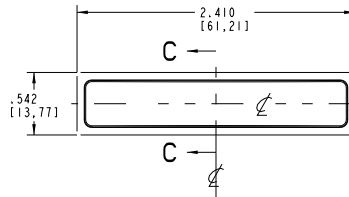


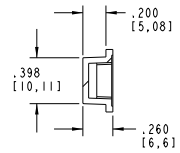
SECTION B-B



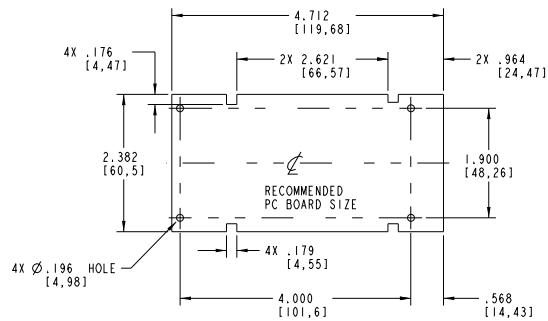
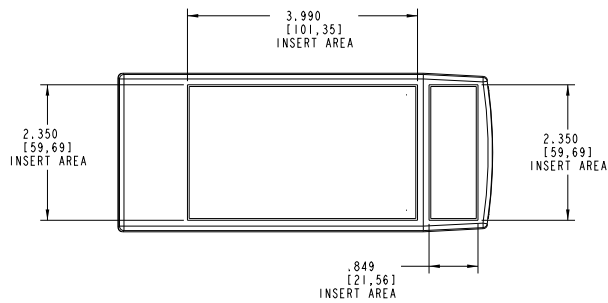
SECTION A-A



PANEL SIZE



SECTION C-C



PACINTEC®
1-610-361-4200

RC37-2AA

VISIT **PACINTEC®**
ON THE WORLD WIDE WEB
www.pactecenclosures.com

COLOR / MATERIAL CODE		
COLOR	94HB	94VO
BLACK	000	028
P.C.BONE	039	060

DRAWING NUMBER	REV
68193	B