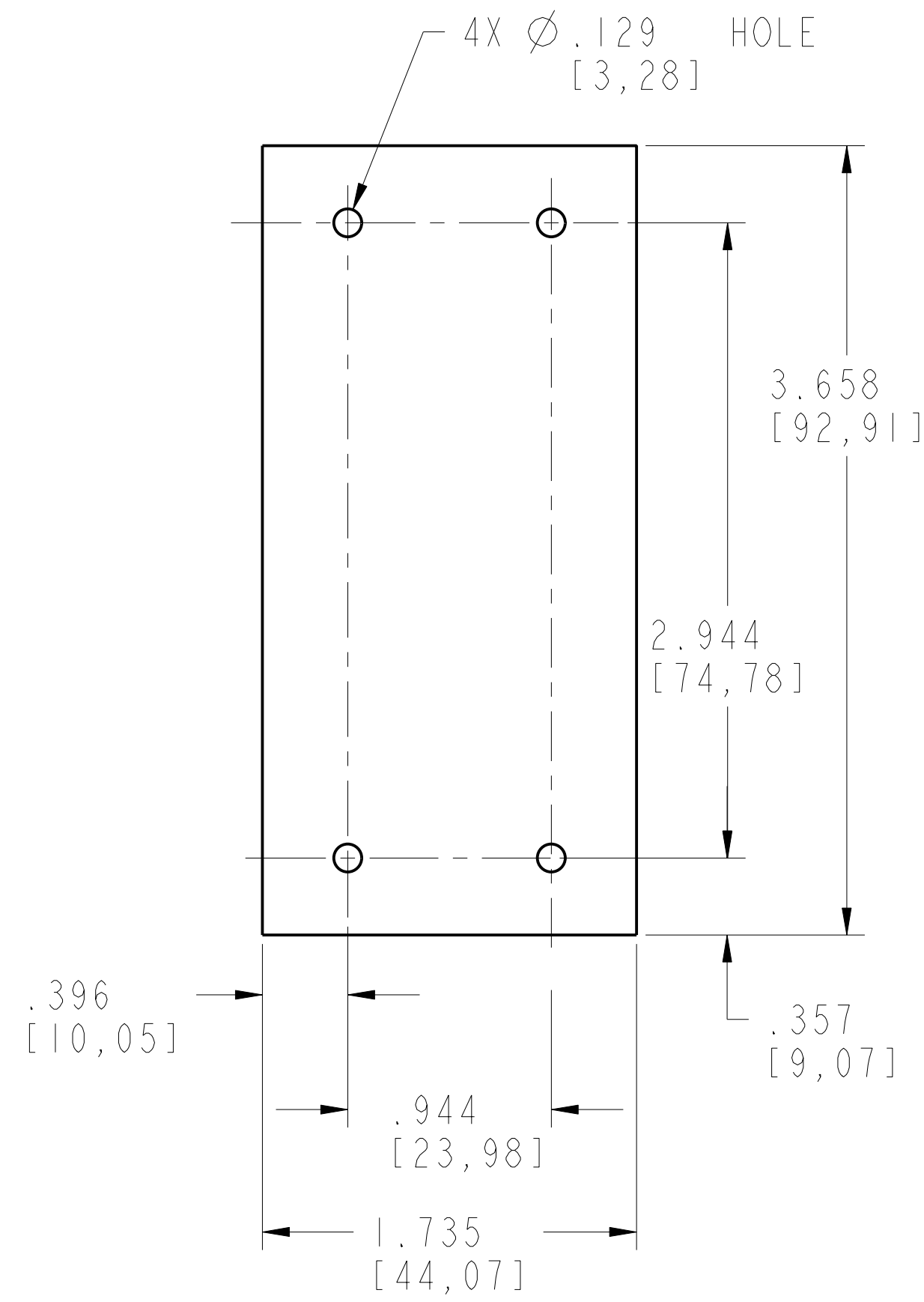
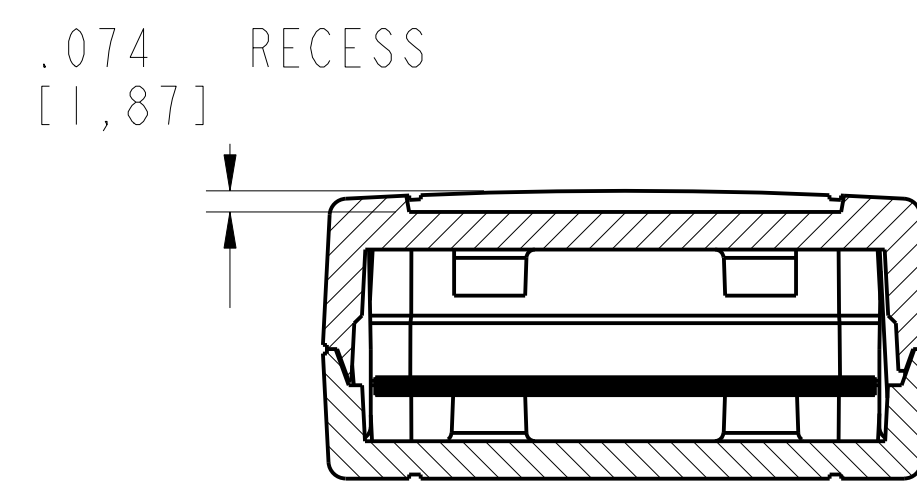
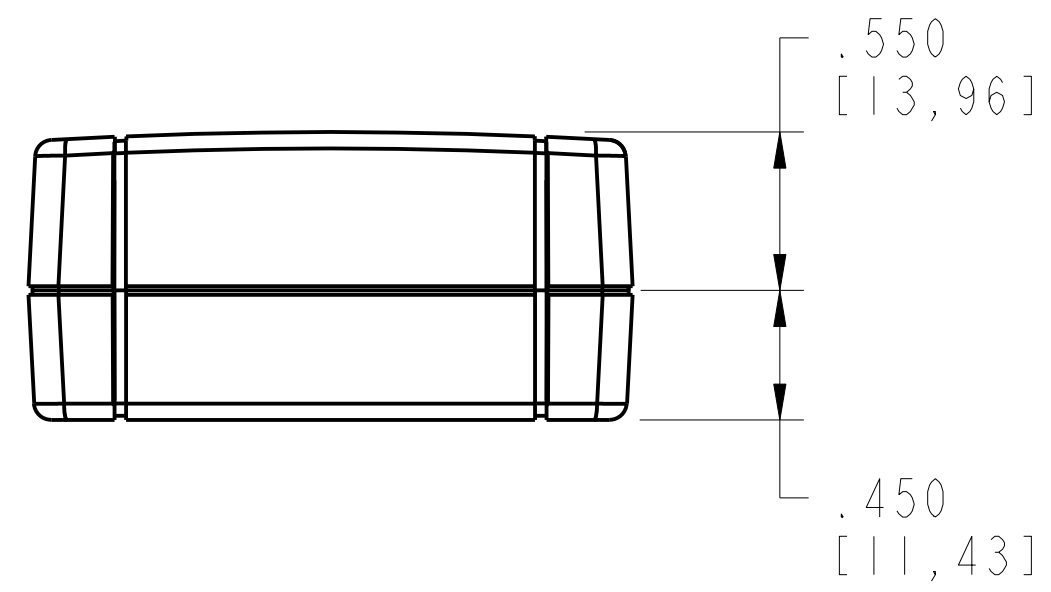
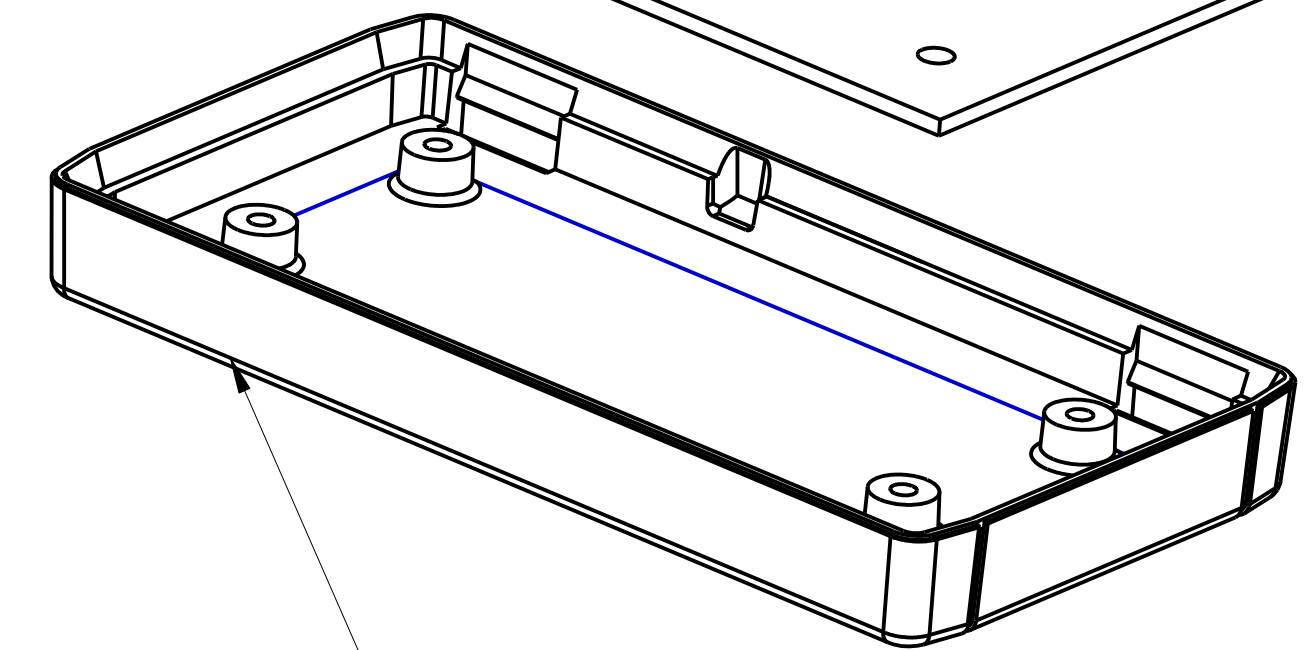
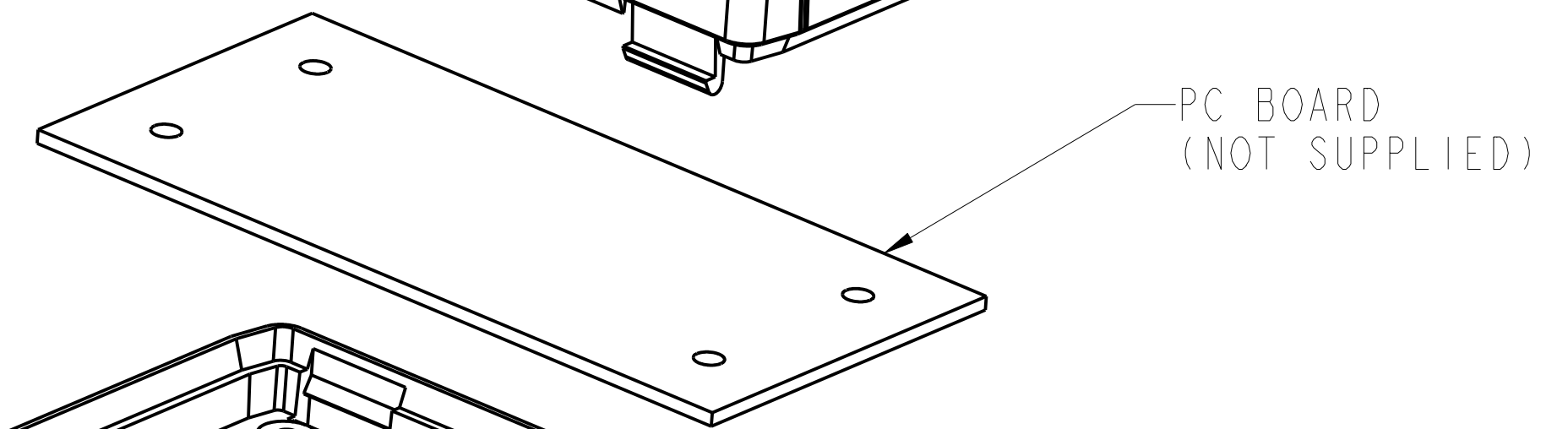
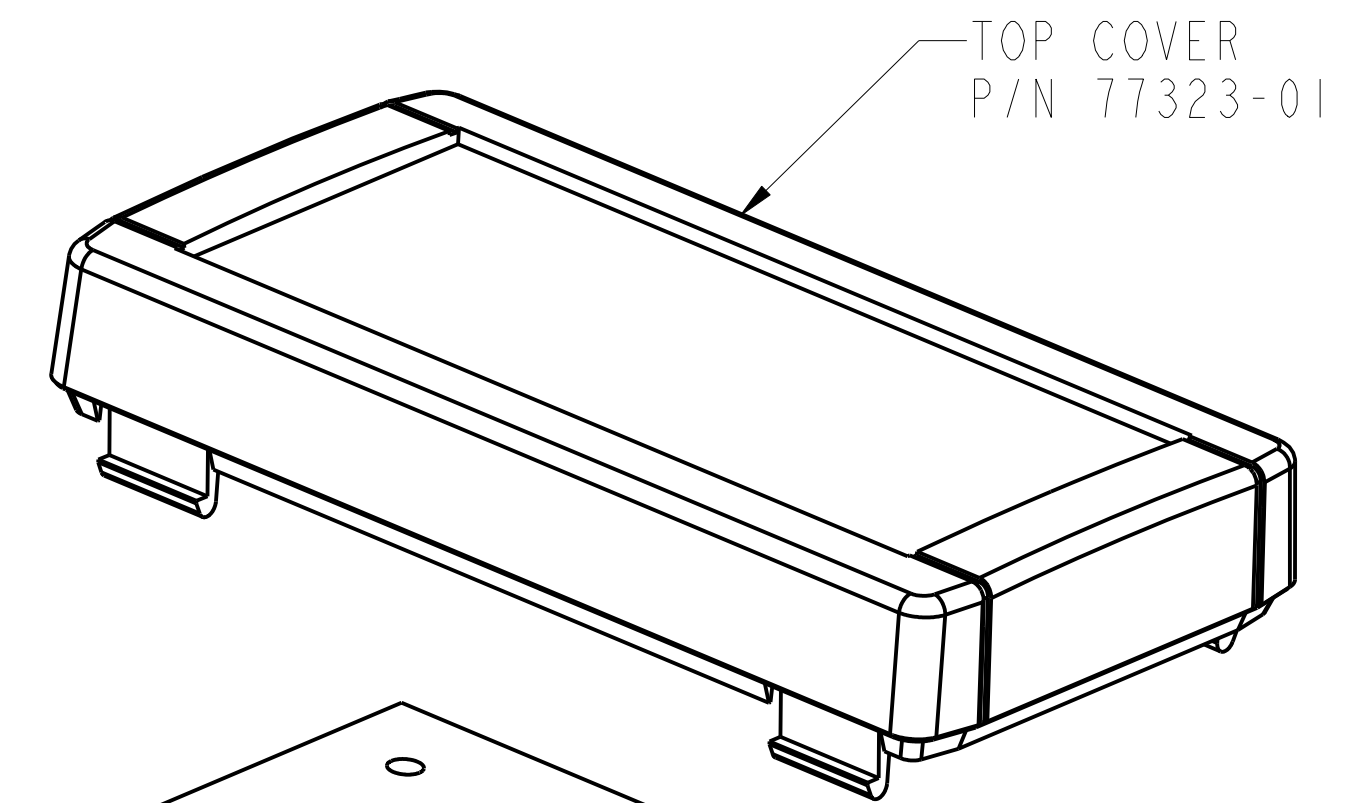
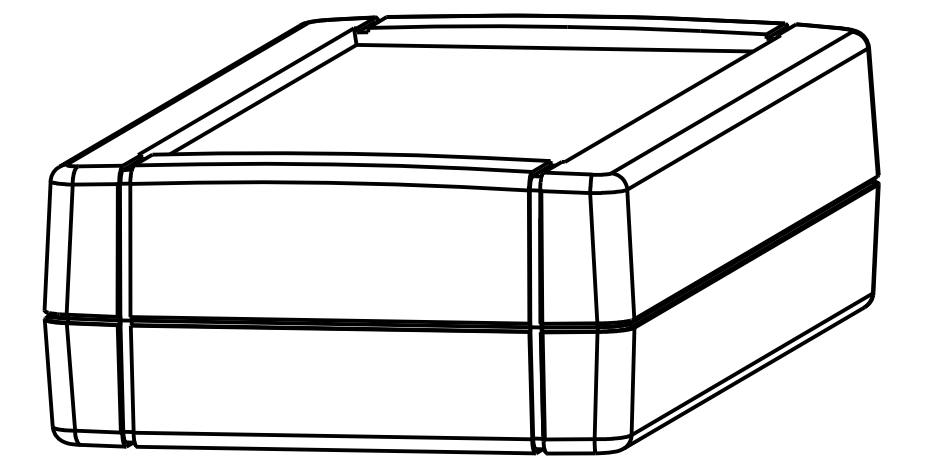


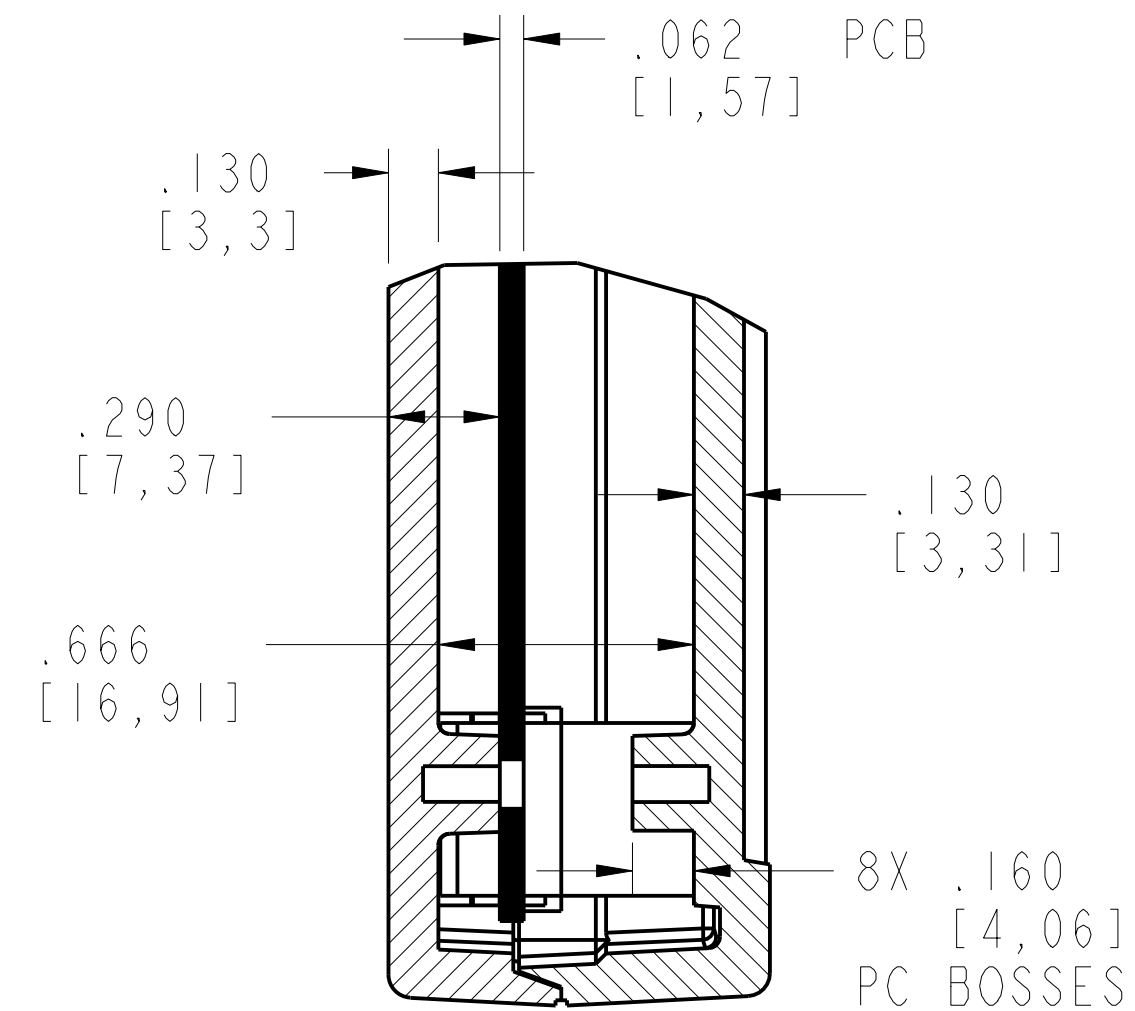
SECTION B-B



P.C. BOARD SIZE
(TOP AND BOTTOM COVER)



SECTION A-A



SECTION C-C
SCALE 2.000

PACINTEC[®]
1-610-361-4231

PS24-100

VISIT **PACINTEC**[®]
ON THE WORLD WIDE WEB
www.pactecenclosures.com

INSERT AREAS ARE SECTIONS IN OUR TOOLS
THAT CAN BE REMOVED AND REPLACED WITH
CUSTOMER SPECIFIC DETAILS

DRAWING NUMBER	REV
77325	C

1.500 [38, 1] INSERT AREA

