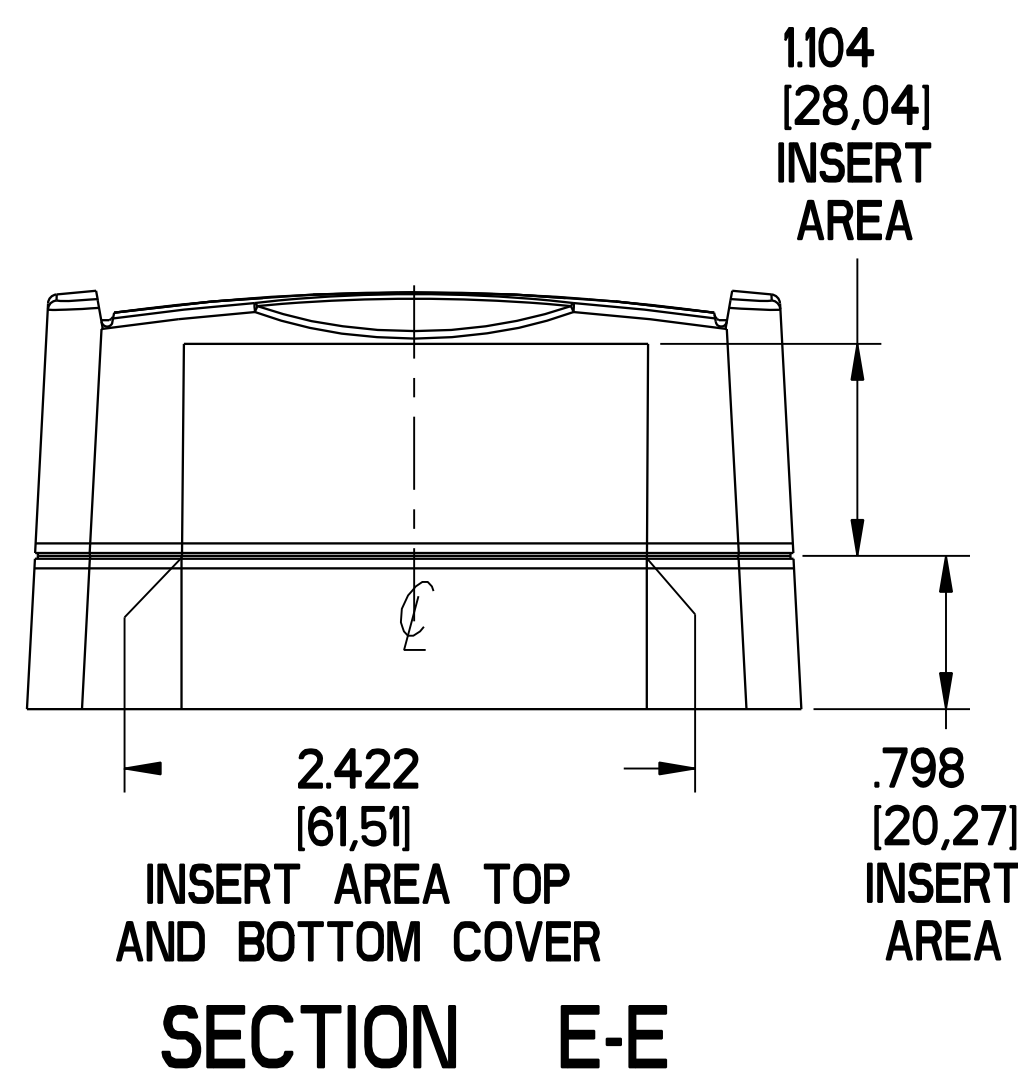
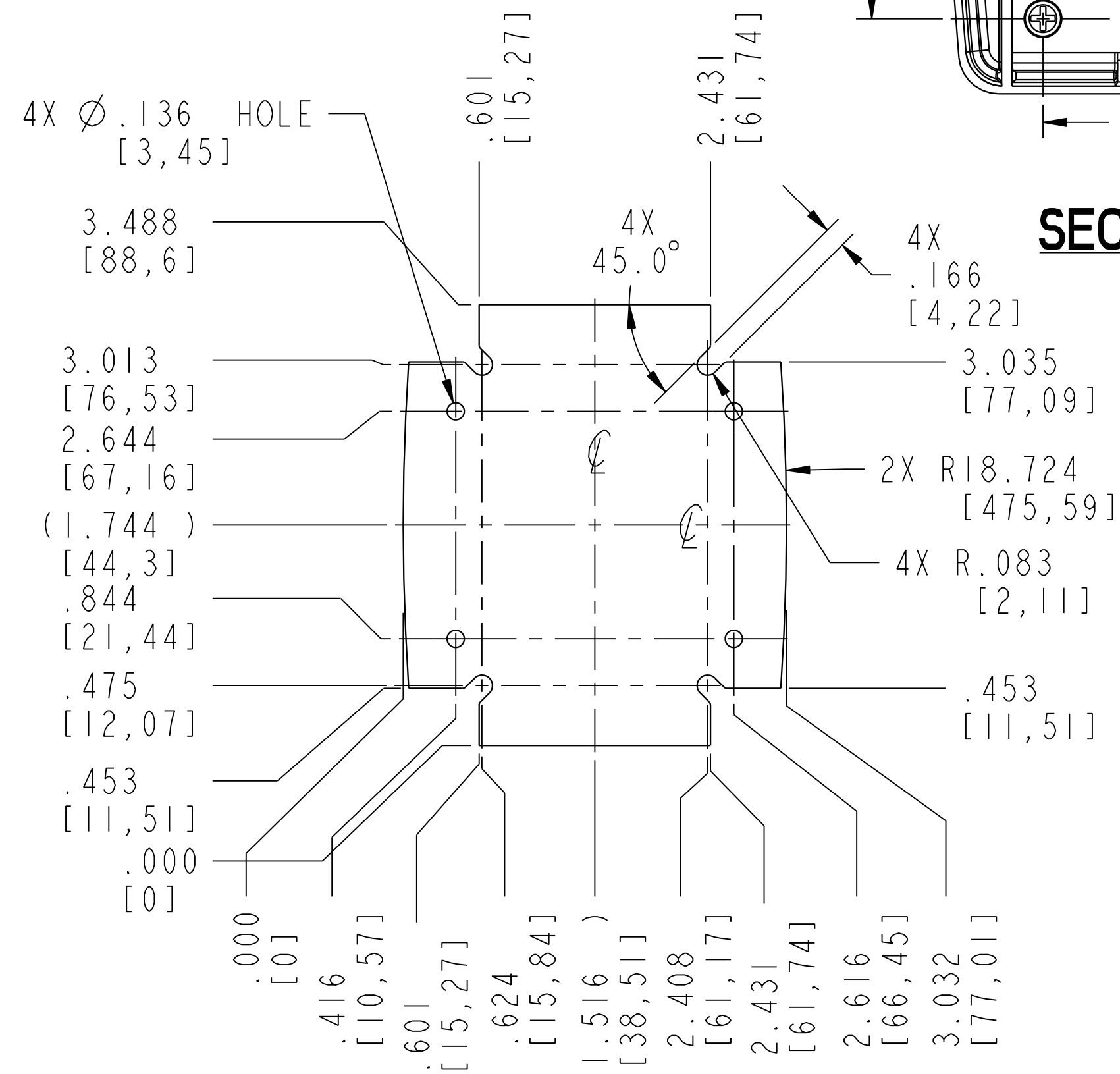


PCB BOARD (TOP COVER)

MAX PCB SIZE, .063 TK



SECTION E-E



PC BOARD BOTTOM COVER

MAX PCB SIZE, .063 TK

SECTION D-D

NOTES:

1. USE #4 TYPE "B" THREAD FORMING SCREWS X .25 [6.3] LONG TO MOUNT CIRCUIT CARD ASSEMBLY.
2. RECOMMENED ASSEMBLY SCREW TORQUE SETTING IS 5 INCH-POUNDS.
3. TO MAINTAIN IP67 RATING USE THE GASKET ONCE; IF OPENING UNIT TO SERVICE MUST REPLACE GASKET.

PACNTEC®
1-610-361-4231

ODNF43-2.0

VISIT **PACNTEC®**
ON THE WORLD WIDE WEB
www.pactecenclosures.com

SCALE: 1/1

MATERIAL:
POLYCARBONATE (HB)
WITH UV STABILIZER

COLOR:
LIGHT GRAY #332

INSERT AREAS ARE SECTIONS IN OUR TOOLS THAT CAN BE REMOVED AND REPLACED WITH CUSTOMER SPECIFIC DETAILS

DRAWING NUMBER	REV
115451	A