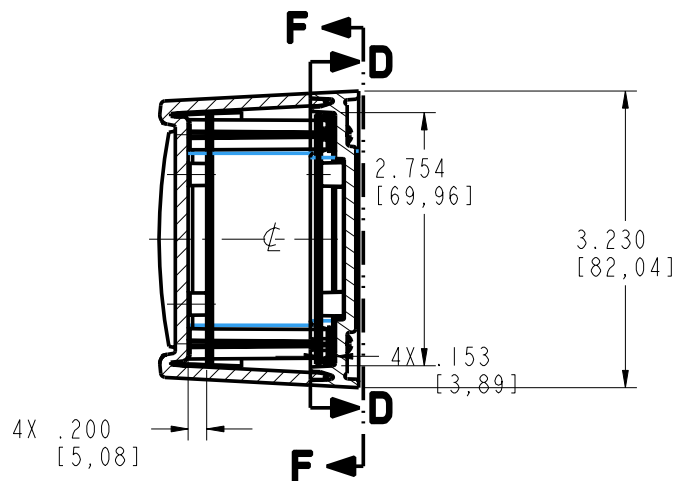
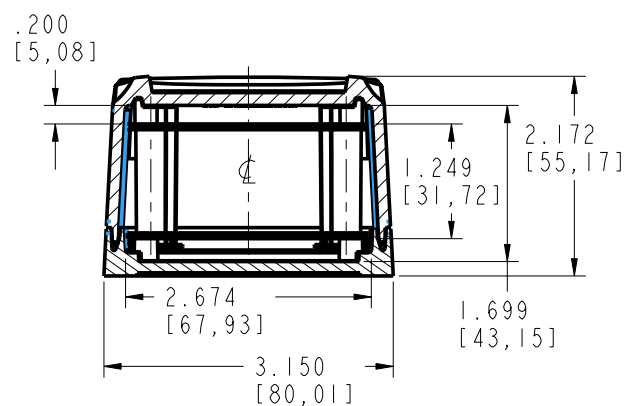
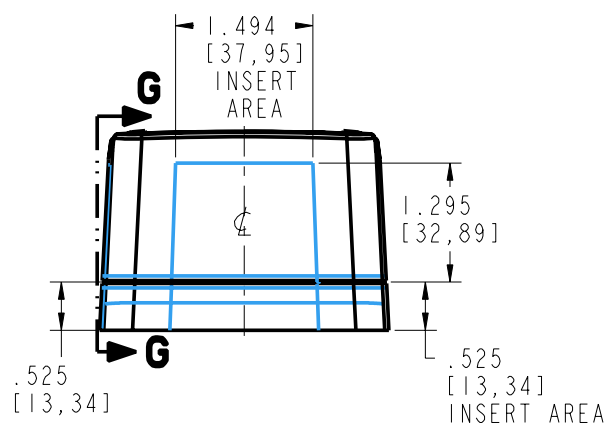
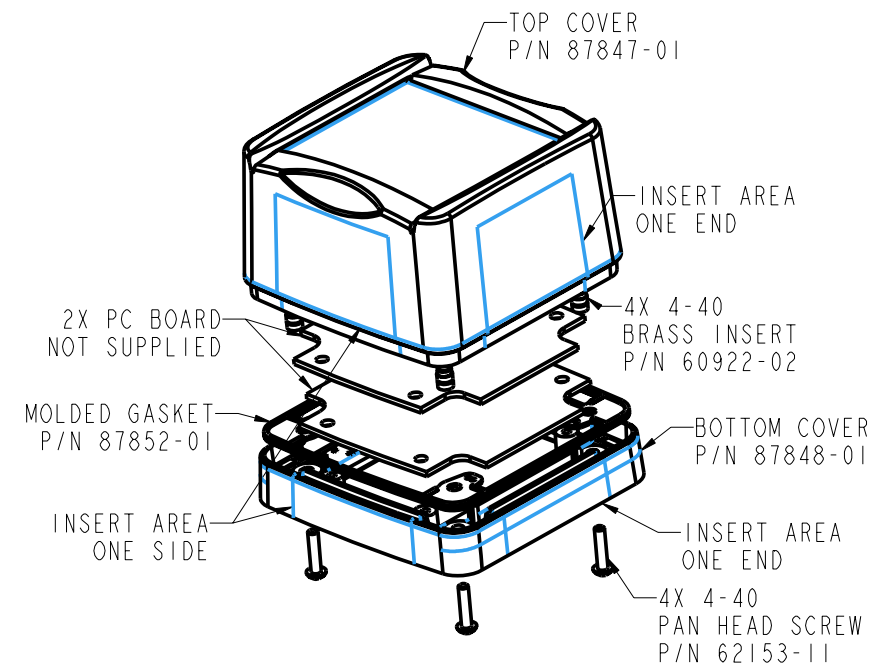


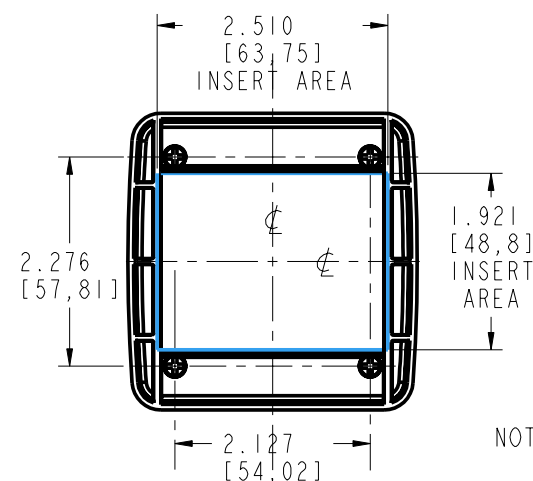
SECTION D-D



SECTION E-E



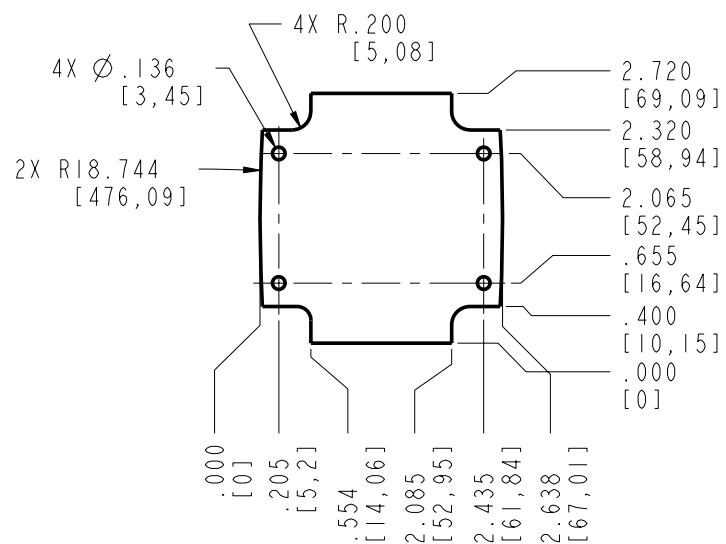
SECTION A-A



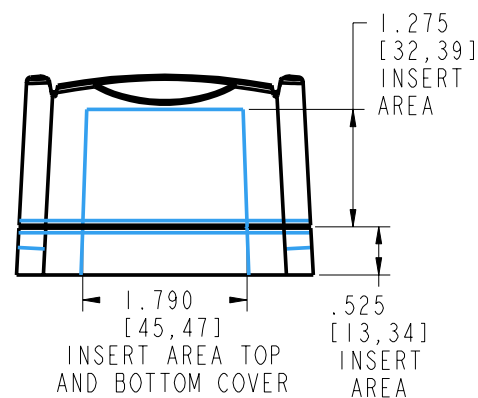
SECTION F-F

NOTES:

1. USE #4 TYPE "B" THREAD FORMING SCREWS X .25 [6,3] LONG TO MOUNT CIRCUIT CARD ASSEMBLY.
2. TORQUE VALUE FOR ENCLOSURE ASSEMBLY SCREWS 5-6 INCH/POUND.
3. DRAWING SECTIONS B AND C NOT USED.



PC BOARD (TOP & BOTTOM COVERS)  
MAX DIMENSIONS, .063 [1,6] TK



SECTION G-G

**PACNTEC**<sup>®</sup>  
1-610-361-4231

**ODNF33-2.0**

VISIT **PACNTEC**<sup>®</sup>  
ON THE WORLD WIDE WEB  
[www.pactecenclosures.com](http://www.pactecenclosures.com)

MATERIAL:  
POLYCARBONATE (HB)  
WITH UV STABILIZER

COLOR:  
LIGHT GRAY #332

INSERT AREAS ARE SECTIONS IN OUR TOOLS  
THAT CAN BE REMOVED AND REPLACED WITH  
CUSTOMER SPECIFIC DETAILS

DRAWING NUMBER	REV
87851	01