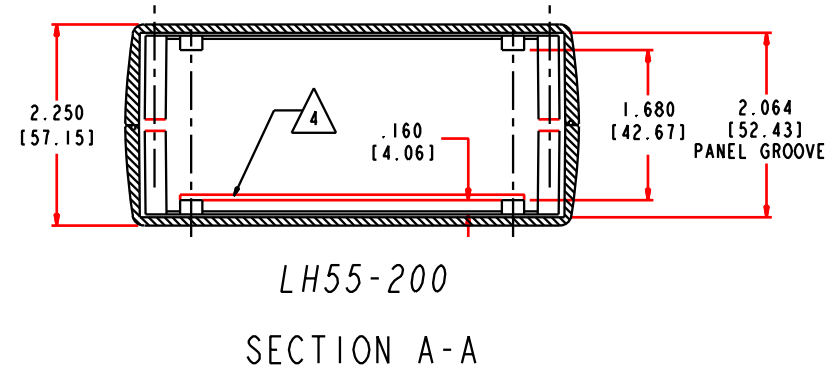
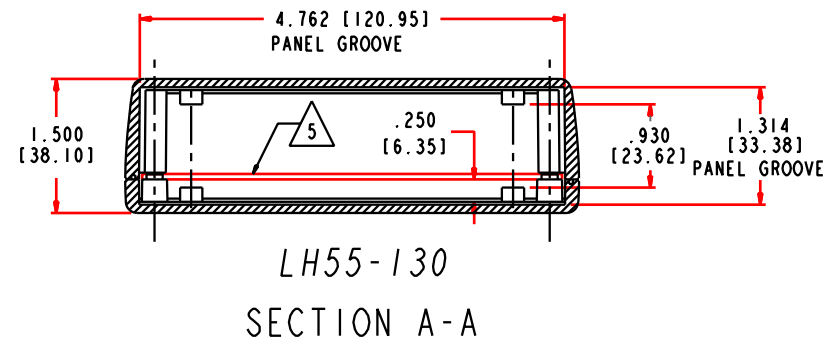
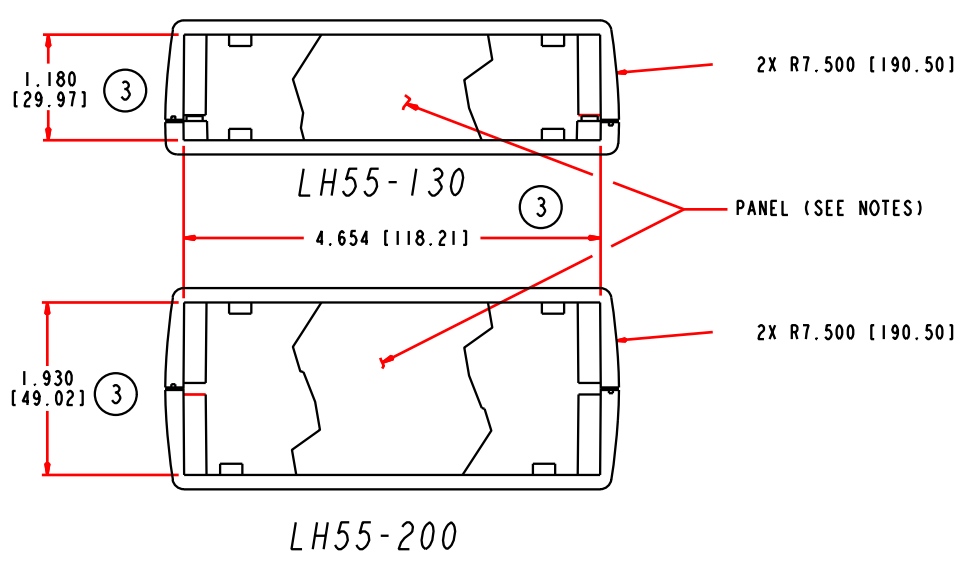


- NOTES:
- PANEL SIZE: (FRONT AND REAR)  
 LH55-130 1.307±.005 [33.20±0.13] H X 4.750±.005 [120.65±0.13] W X .062±.005 [1.57±0.13] THK., IN PANEL GROOVE AREA.  
 LH55-200 2.057±.005 [53.25±0.13] H X 4.750±.005 [120.65±0.13] W X .062±.005 [1.57±0.13] THK., IN PANEL GROOVE AREA.
- ① EXTERIOR INSERT AREA, FOR IN MOLD MODIFICATION. TYPICAL ON TOP AND BOTTOM COVERS.
  - ② INTERIOR INSERT AREA, FOR IN MOLD MODIFICATION. TYPICAL ON TOP AND BOTTOM COVERS.
  - ③ USABLE PANEL AREA.
  - ④ P.C. CARD 50 [120.65] L X 4.000 [101.60] W .062±.005 [1.57±0.13] THK.
  - ⑤ P.C. CARD 4.750 [120.65] L X 4.700 [120.65] W .062±.005 [1.57±0.13] THK.



**PACITEC®**  
 LH55-130 & LH55-200  
 www-pactecenclosures.com  
 1-610-361-4231