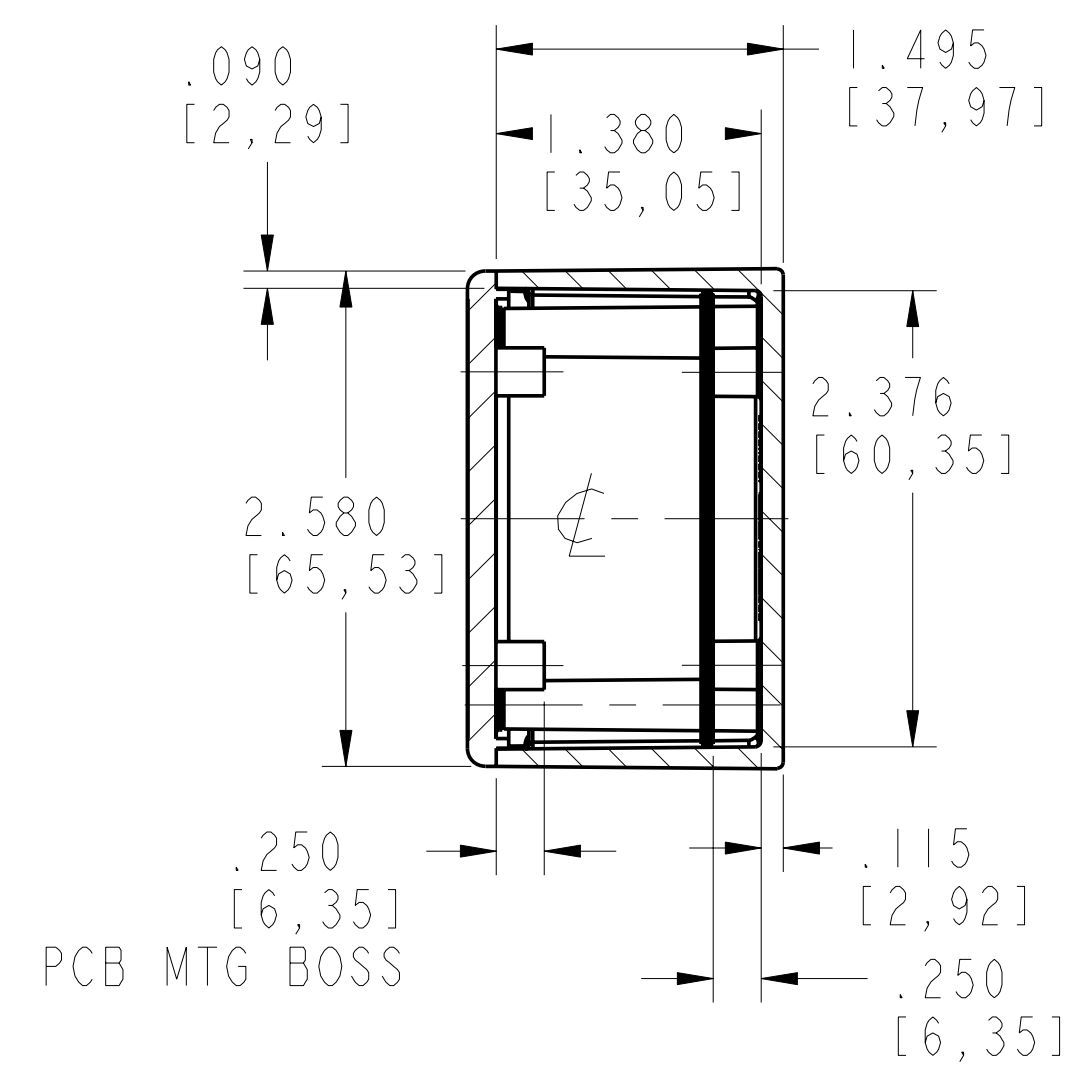
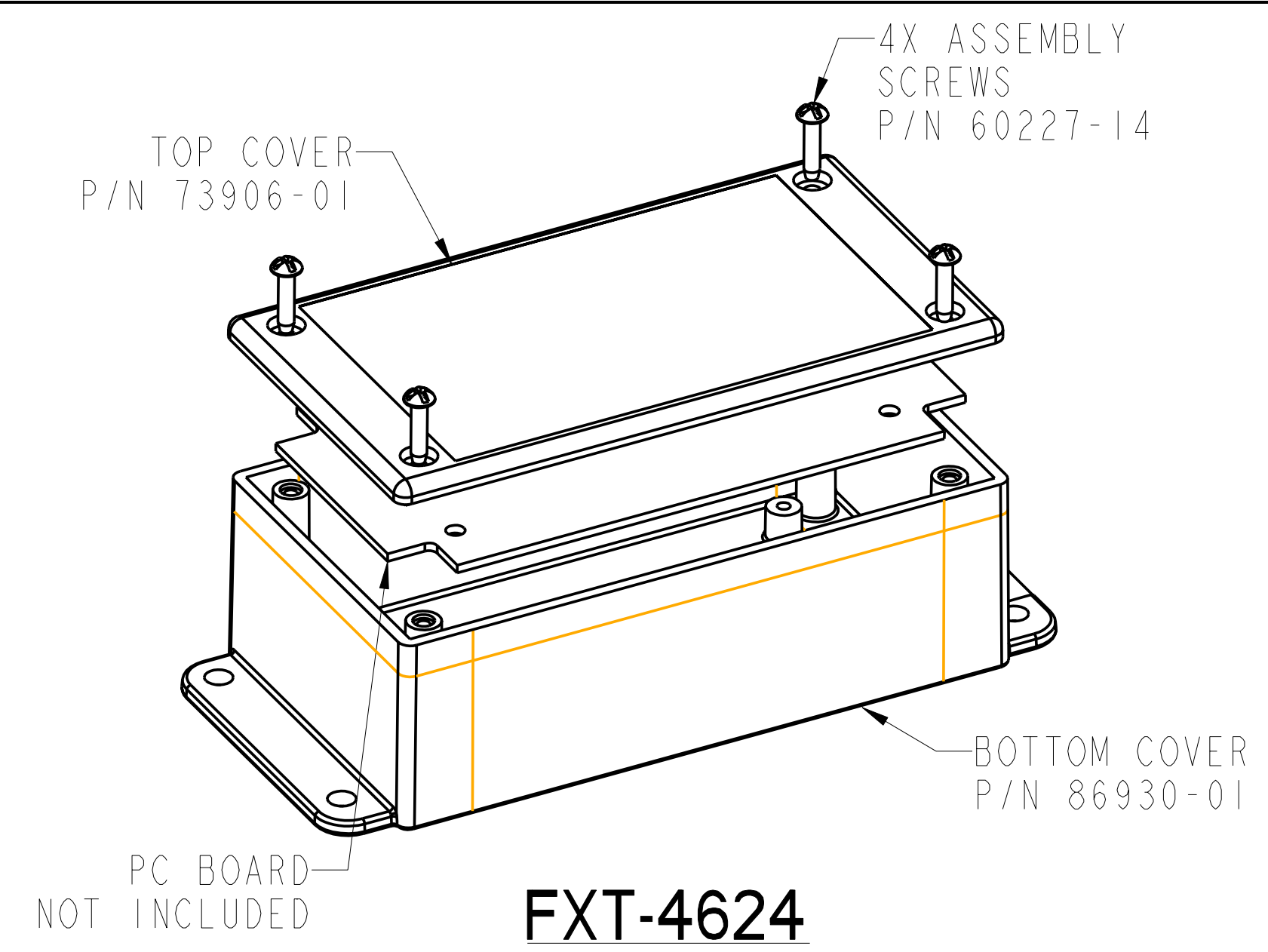


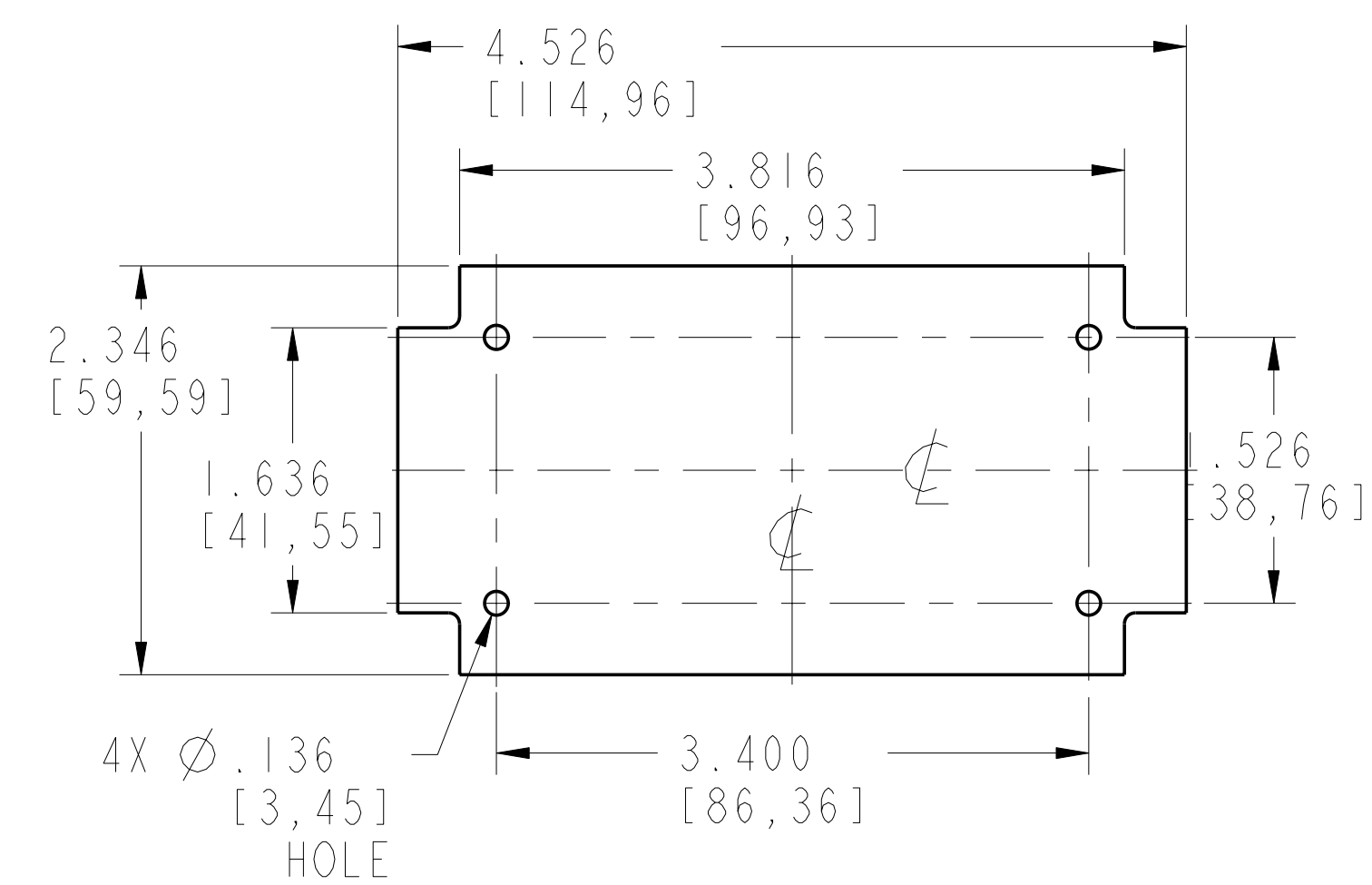
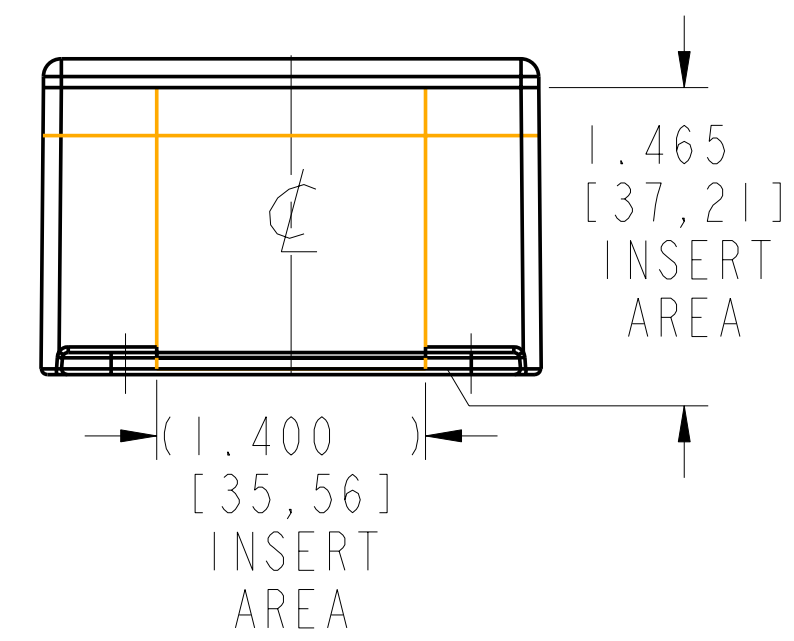
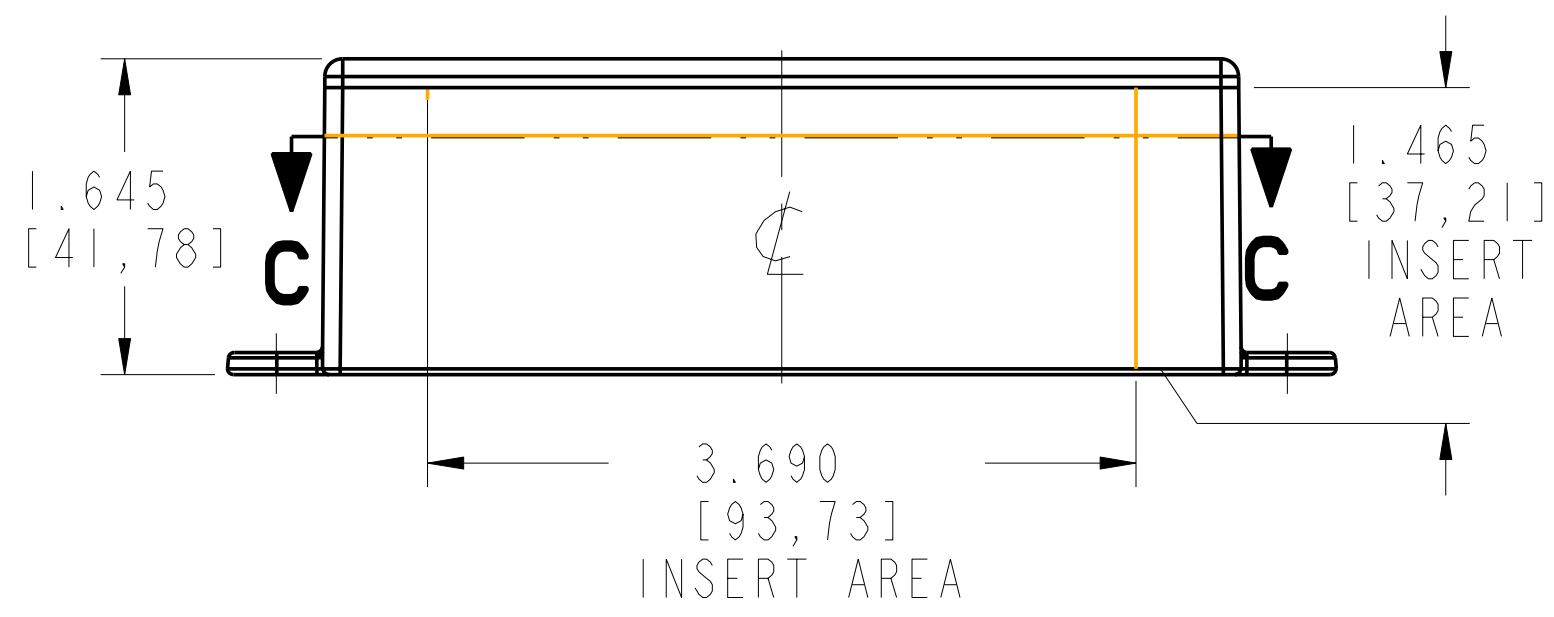
SECTION C-C



SECTION B-B



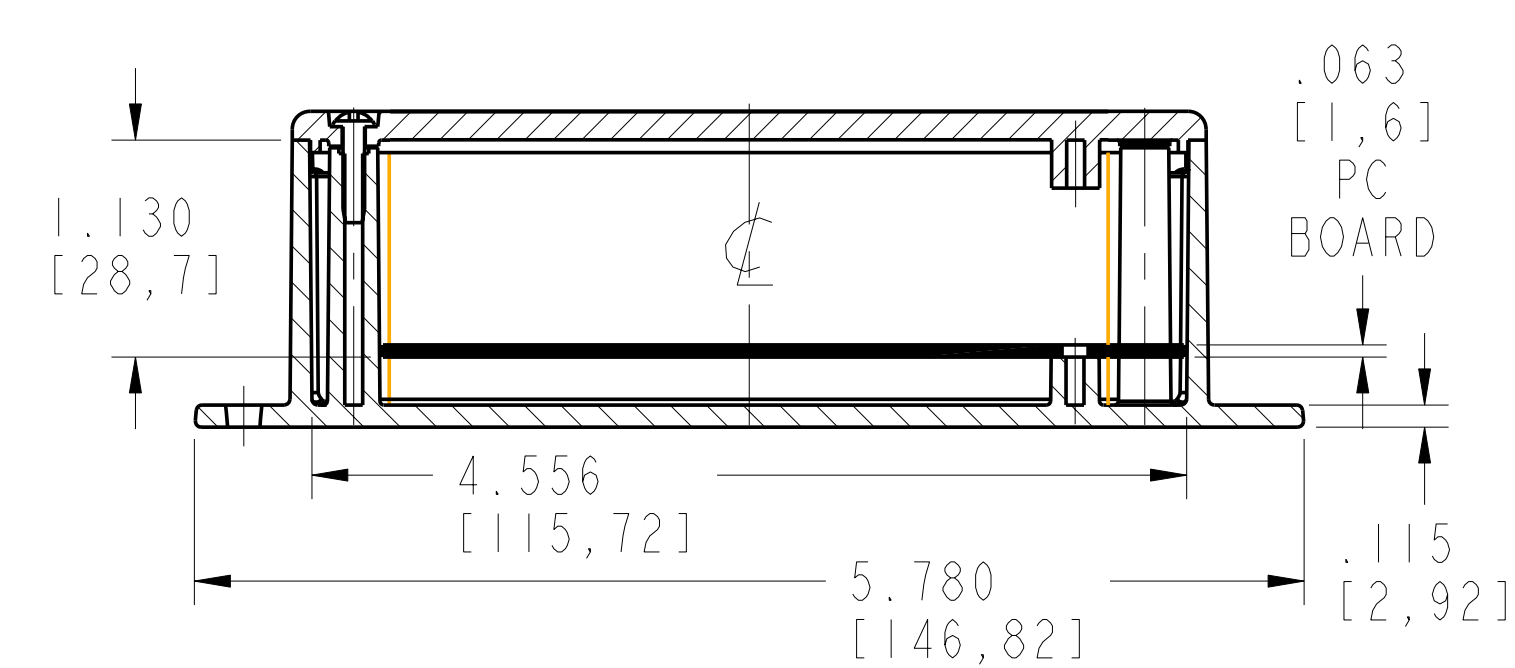
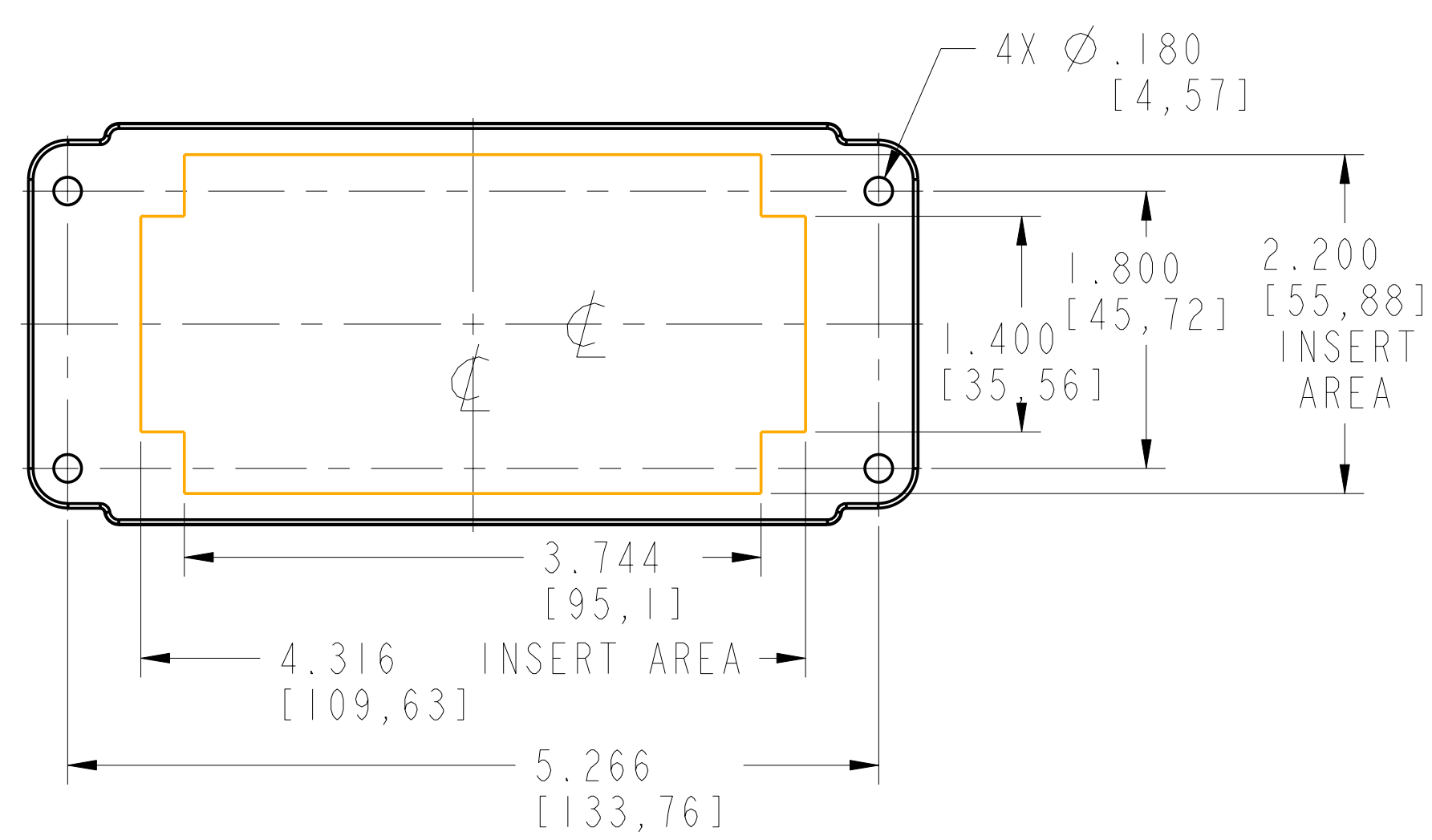
FXT-4624



PCB LAYOUT

NOTES:

- USE #4 TYPE "B" THREAD FORMING SCREWS X .25 [6,35] OR .31 [7,94] TO ATTACH PC BOARD.



SECTION A-A

**PACNTEC**<sup>®</sup>  
1-610-361-4231

**FXT-4624**

VISIT **PACNTEC**<sup>®</sup>  
ON THE WORLD WIDE WEB  
[www.pactecenclosures.com](http://www.pactecenclosures.com)

COLOR / MATERIAL CODE	
COLOR	94HB 94VO
BLACK	000 028
P.C.BONE	039 060

INSERT AREAS ARE SECTIONS IN OUR TOOLS THAT CAN BE REMOVED AND REPLACED WITH CUSTOMER SPECIFIC DETAILS

DRAWING NUMBER	REV
86931	B