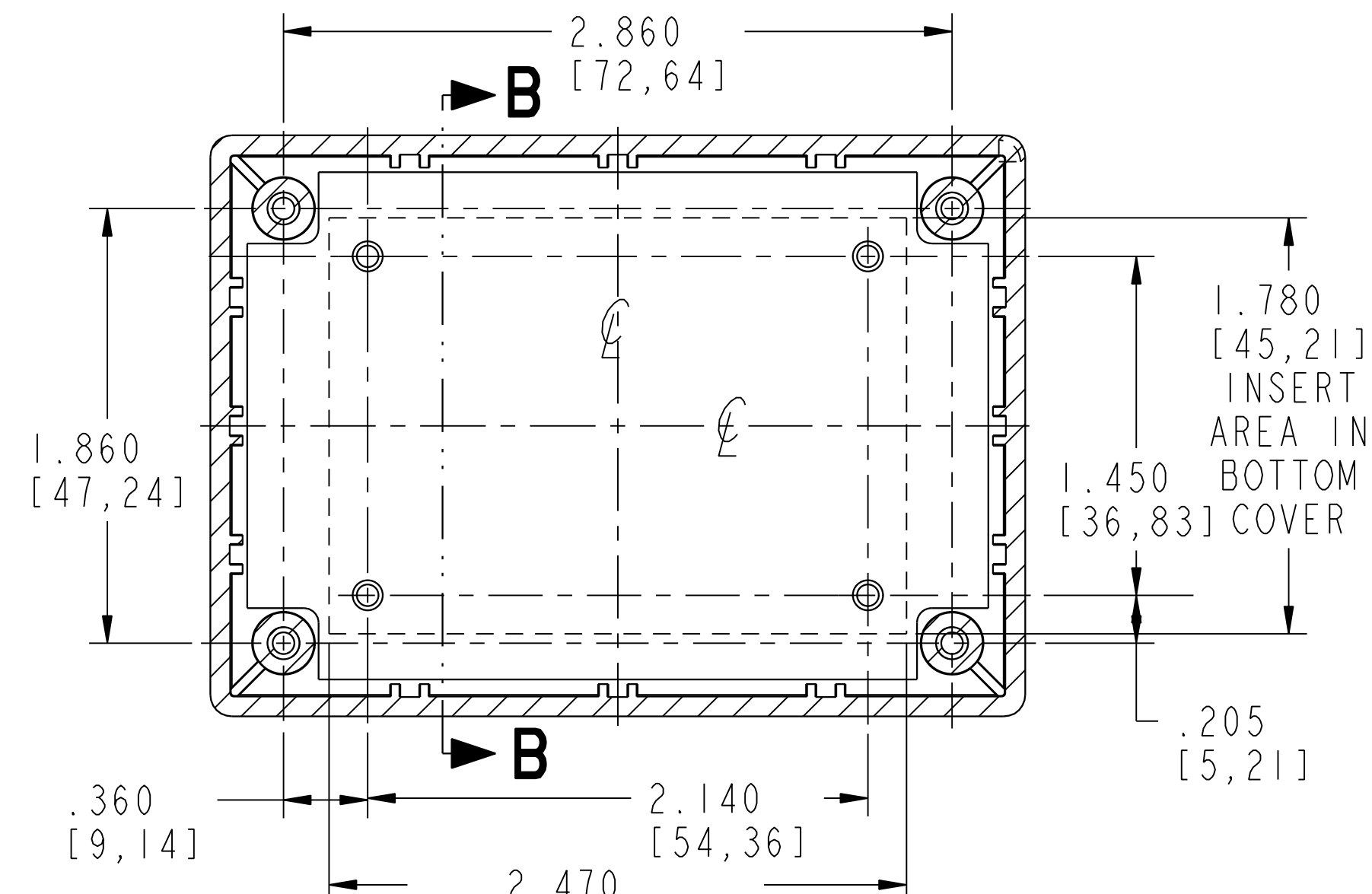
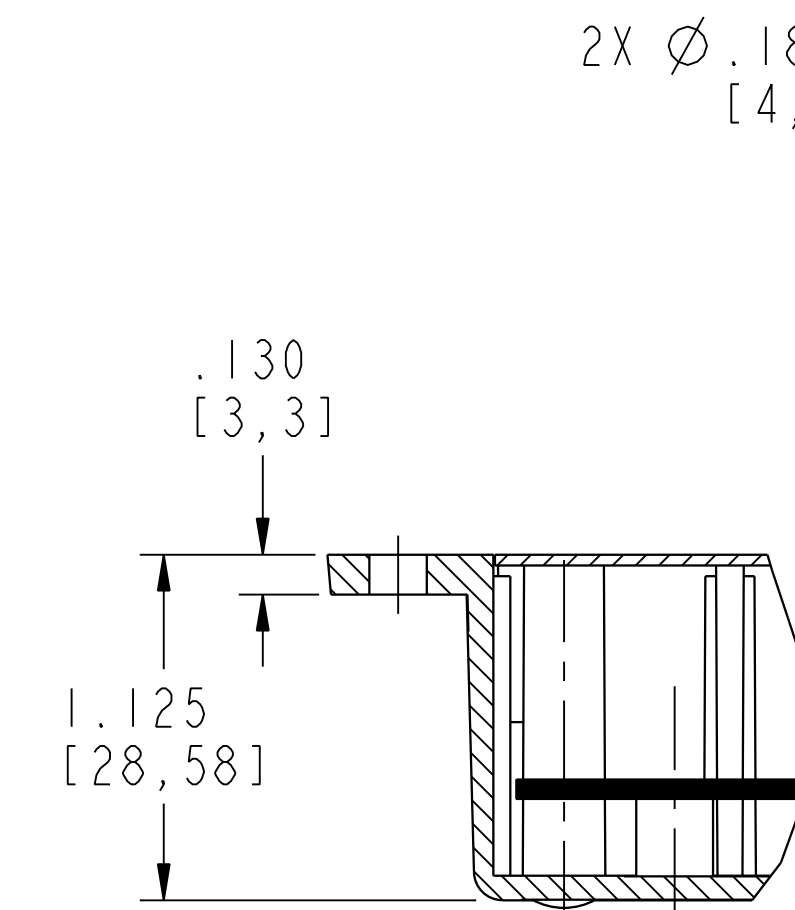


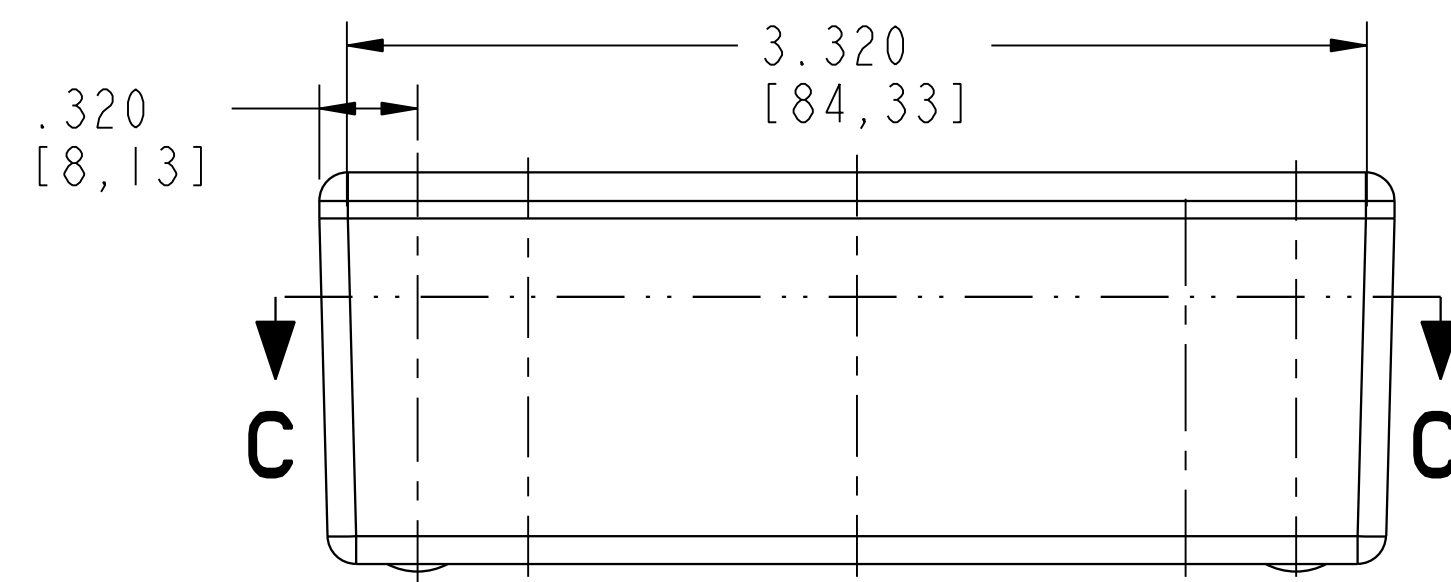
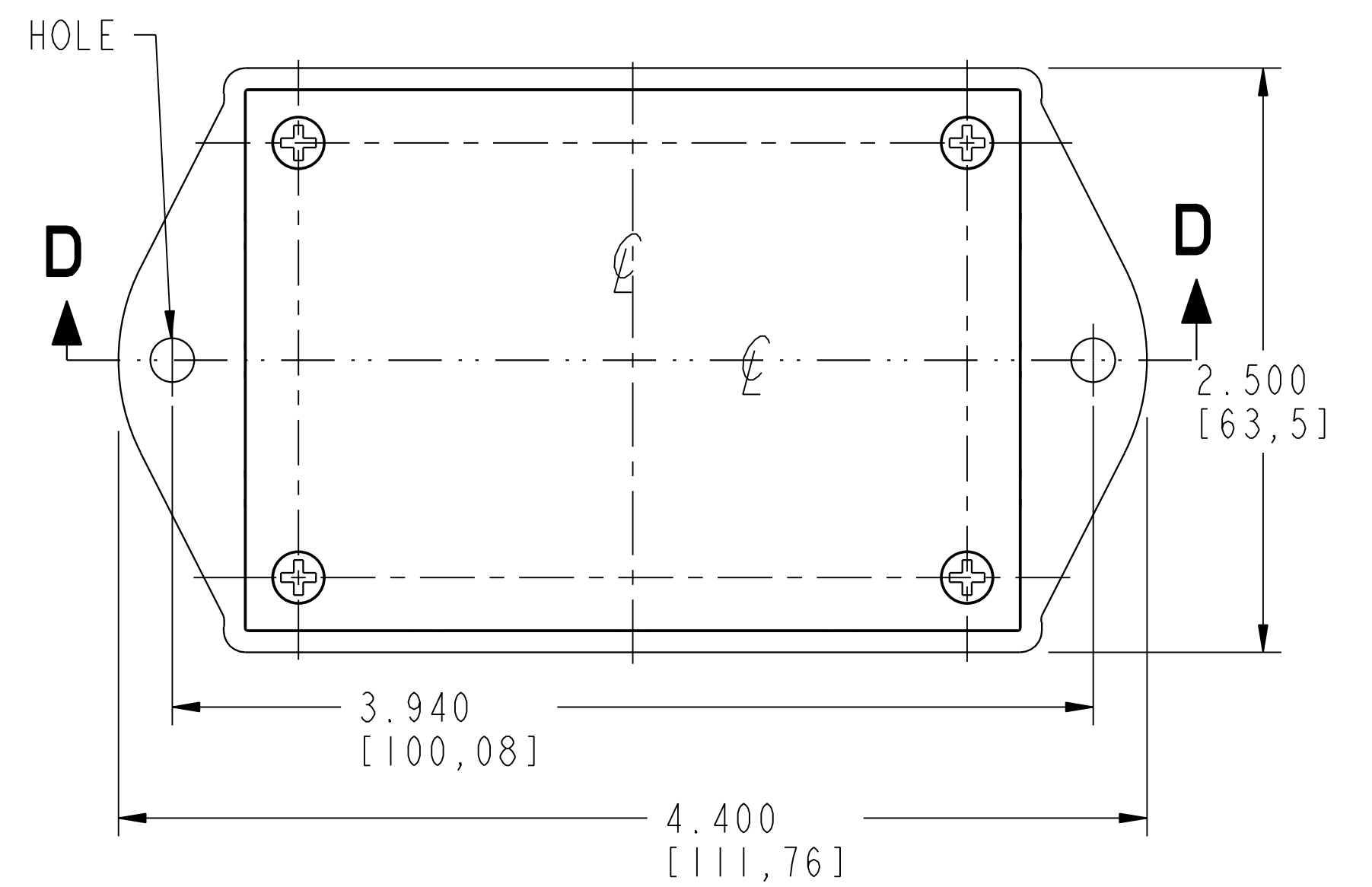
**SECTION B-B**



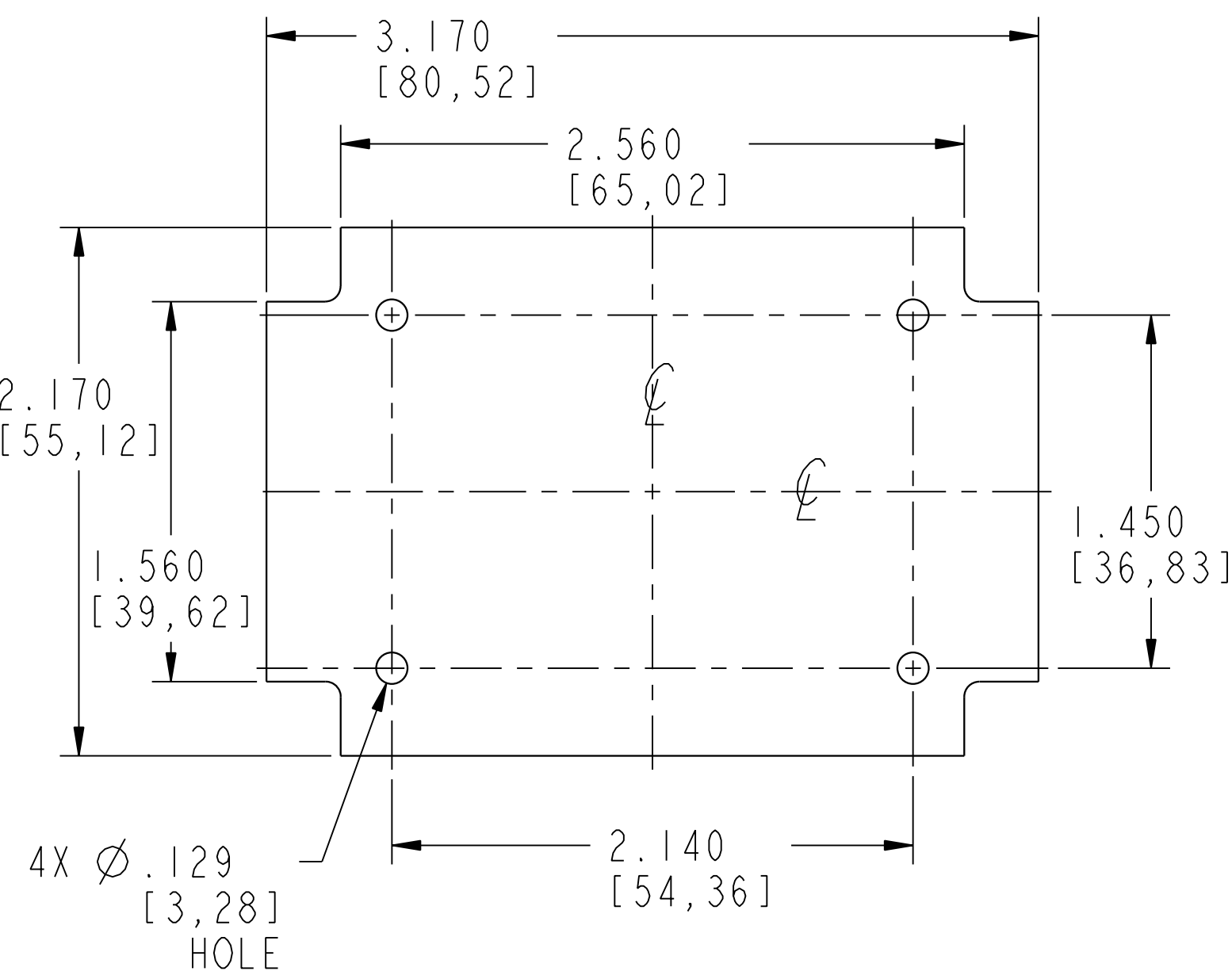
**SECTION C-C**



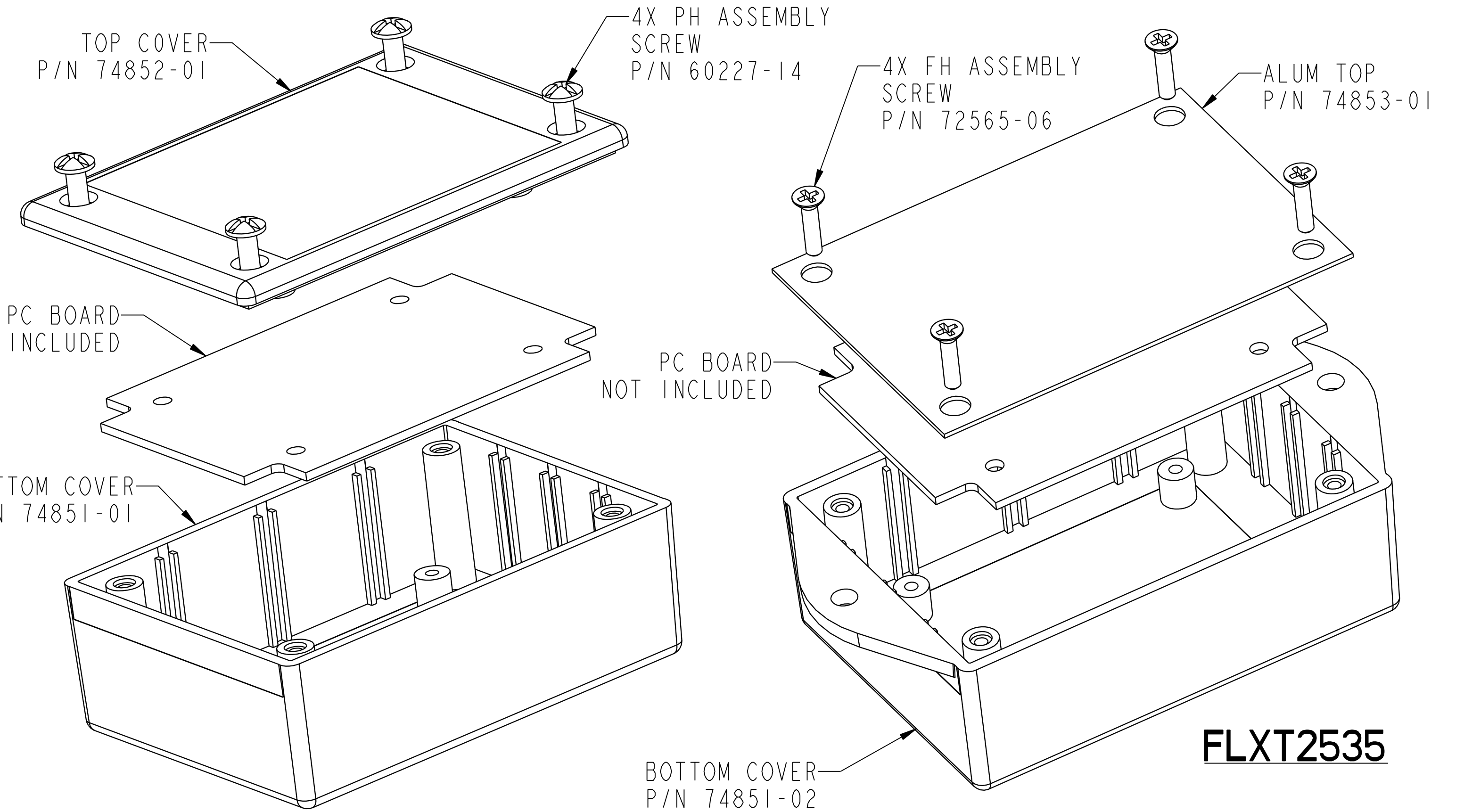
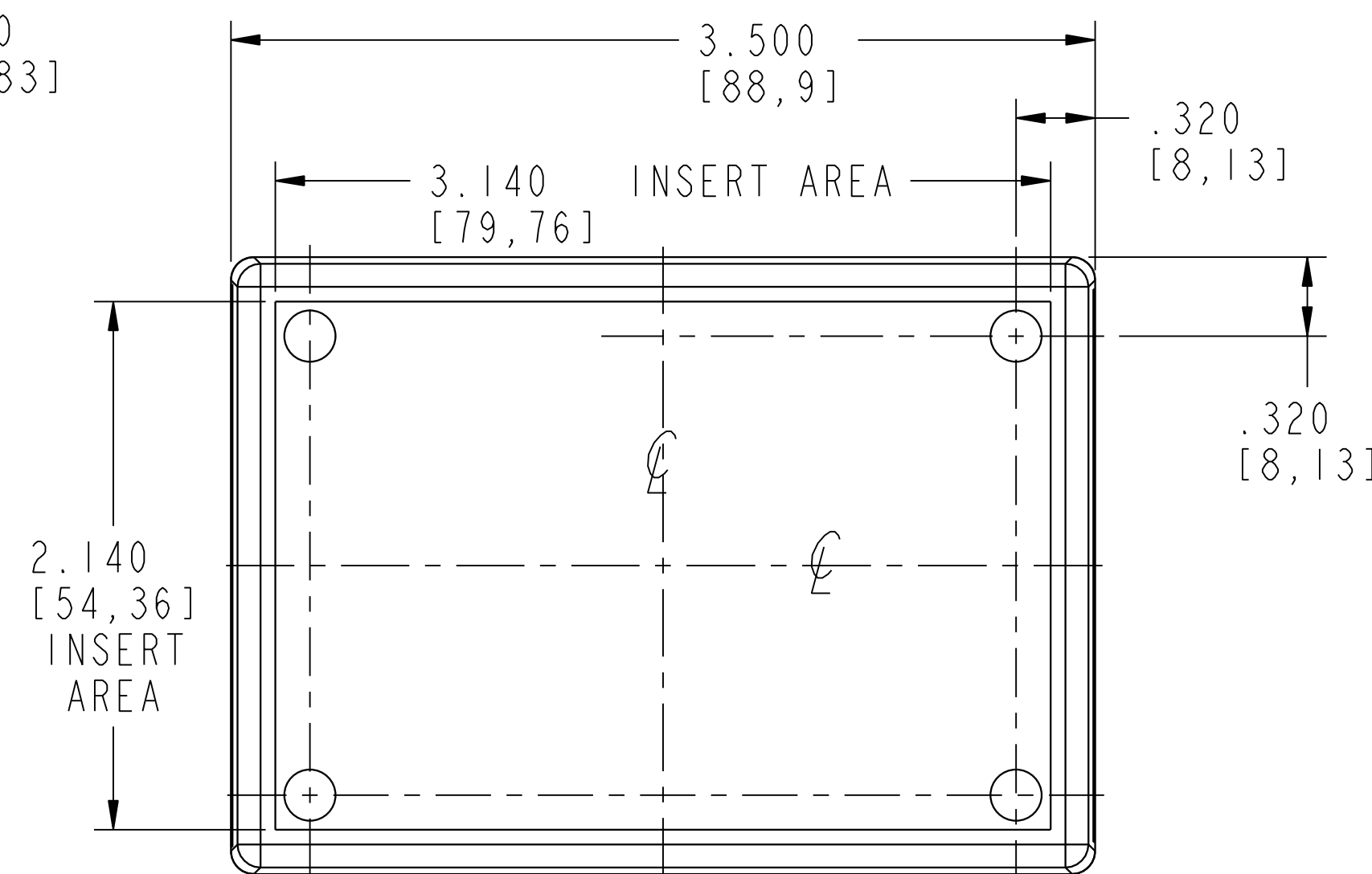
**SECTION D-D**



**SECTION A-A**



**RECOMMENDED PCB LAYOUT**



**FLX2535**

**FLXT2535**

**PACITEC®**  
1-610-361-4286

**FLX2535**  
**FLXT2535**

VISIT **PACITEC®**  
ON THE WORLD WIDE WEB  
[www.pacitecenclosures.com](http://www.pacitecenclosures.com)

INSERT AREAS ARE SECTIONS IN OUR TOOLS THAT CAN BE REMOVED AND REPLACED WITH CUSTOMER SPECIFIC DETAILS

DRAWING NUMBER	REV
74978	B