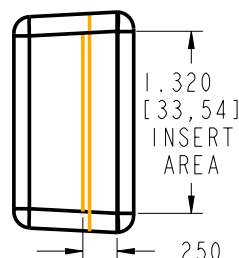
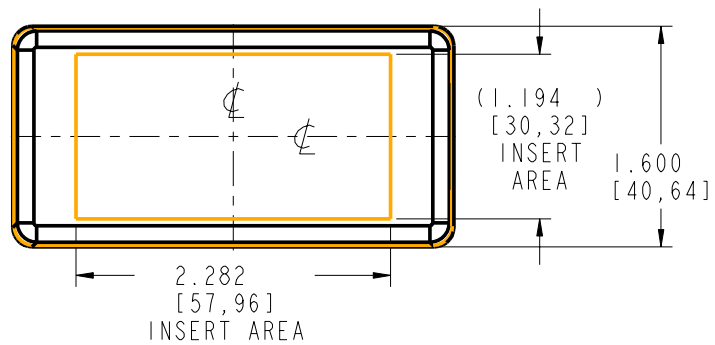
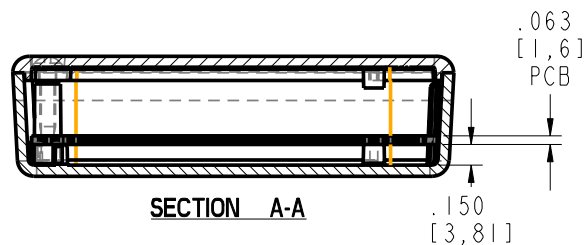


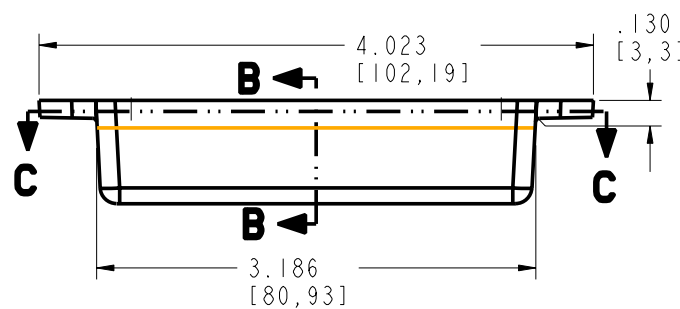
FLX-1632



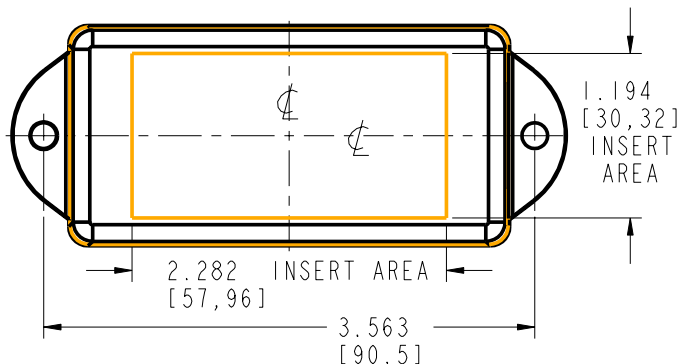
SECTION D-D



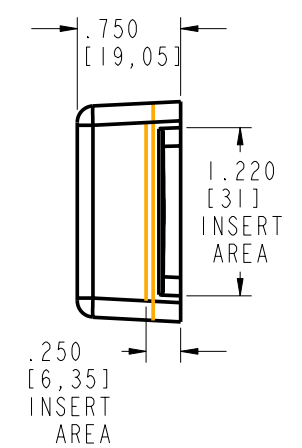
SECTION A-A



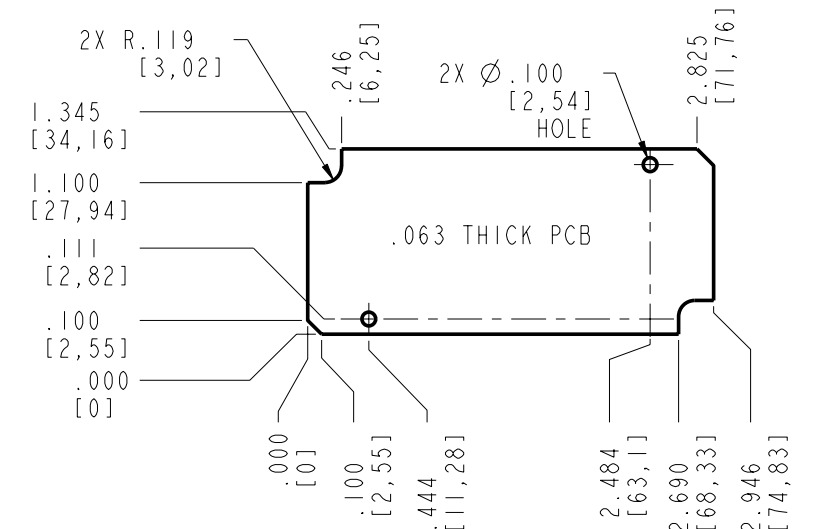
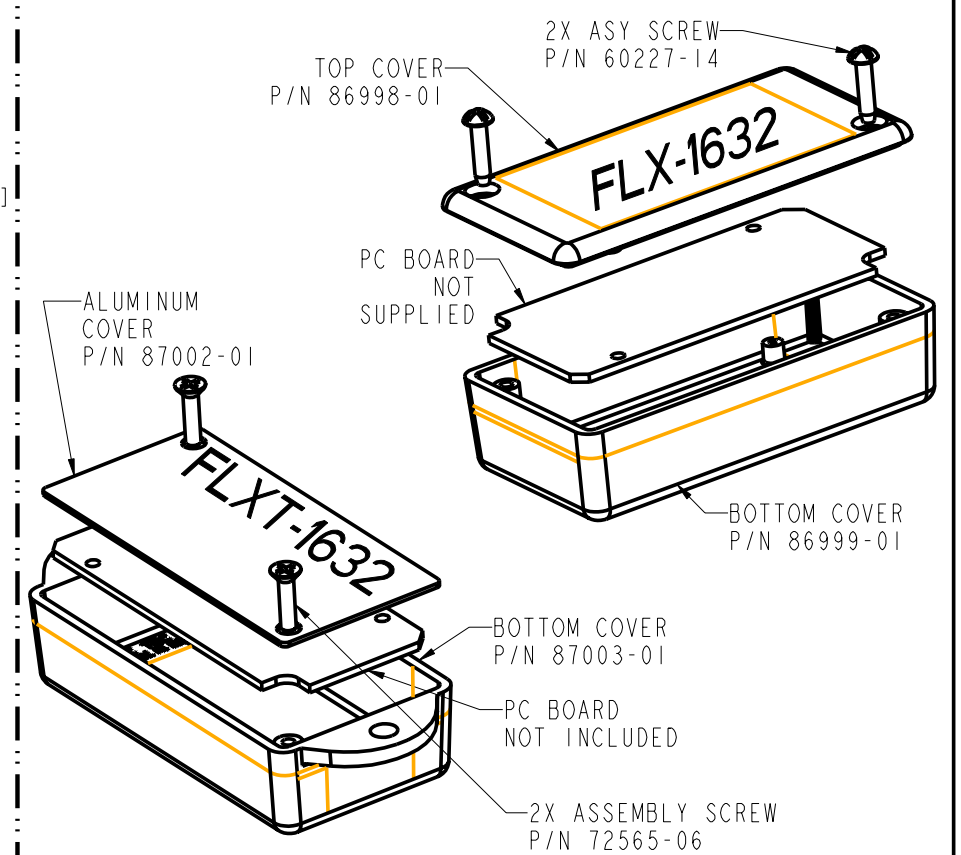
FLXT-1632



SECTION A-A



SECTION D-D



NOTES:

1. USE #2 TYPE B THREAD FORMING SCREW X .18 LONG TO MOUNT PCB.

PACINTEC[®]
1-610-361-4231

FLX-1632
FLXT-1632

VISIT **PACINTEC**[®]
ON THE WORLD WIDE WEB
www.pactecenclosures.com

COLOR / MATERIAL CODE		
COLOR	94HB	94VO
BLACK	000	028
P.C.BONE	039	060

INSERT AREAS ARE SECTIONS IN OUR TOOLS THAT CAN BE REMOVED AND REPLACED WITH CUSTOMER SPECIFIC DETAILS

DRAWING NUMBER	REV
87000	A

SCALE: 1.5