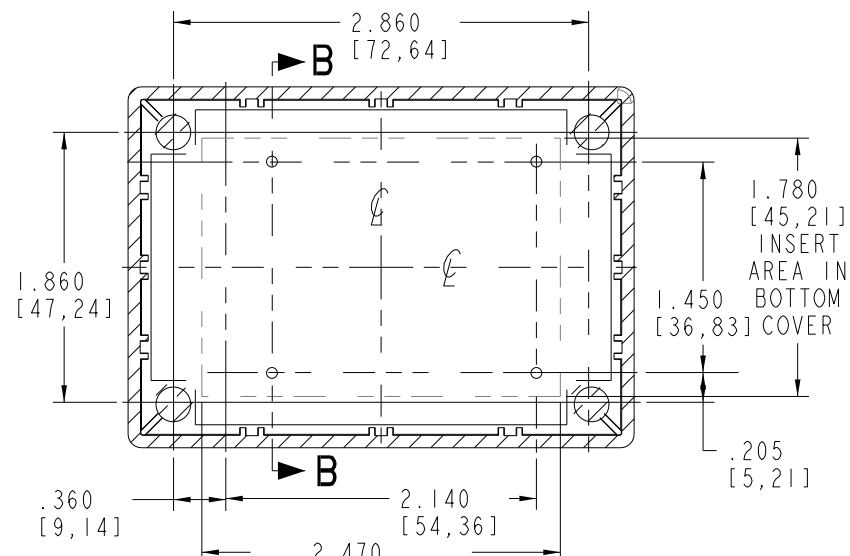
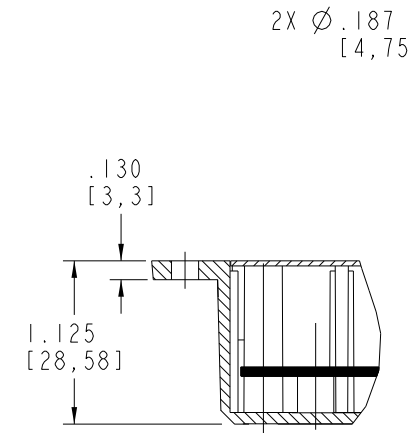


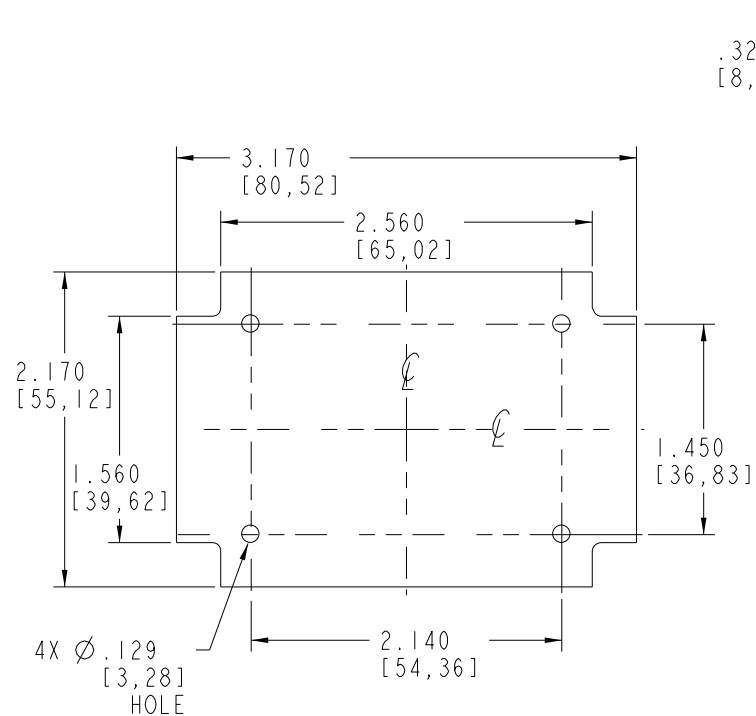
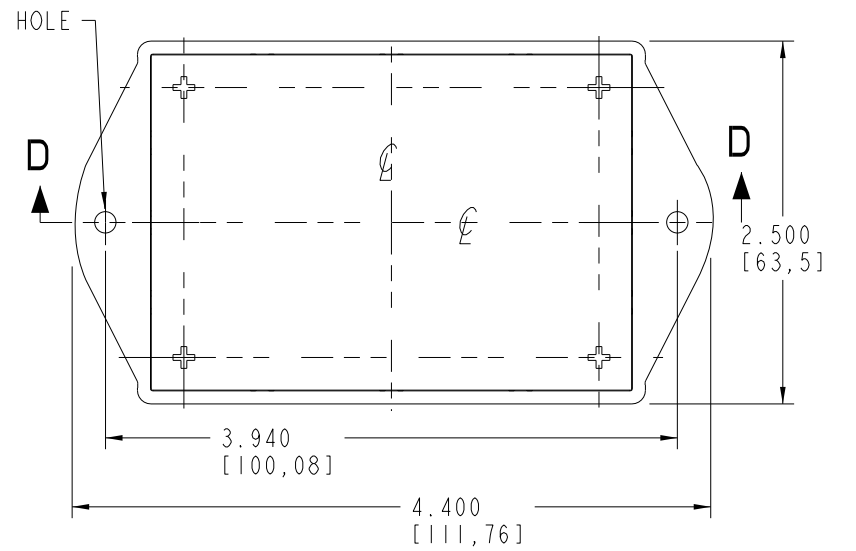
SECTION B-B



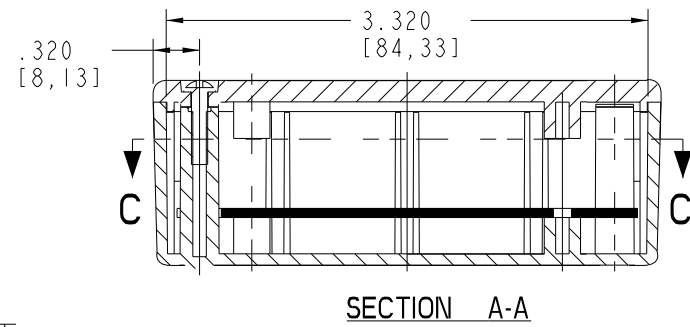
SECTION C-C



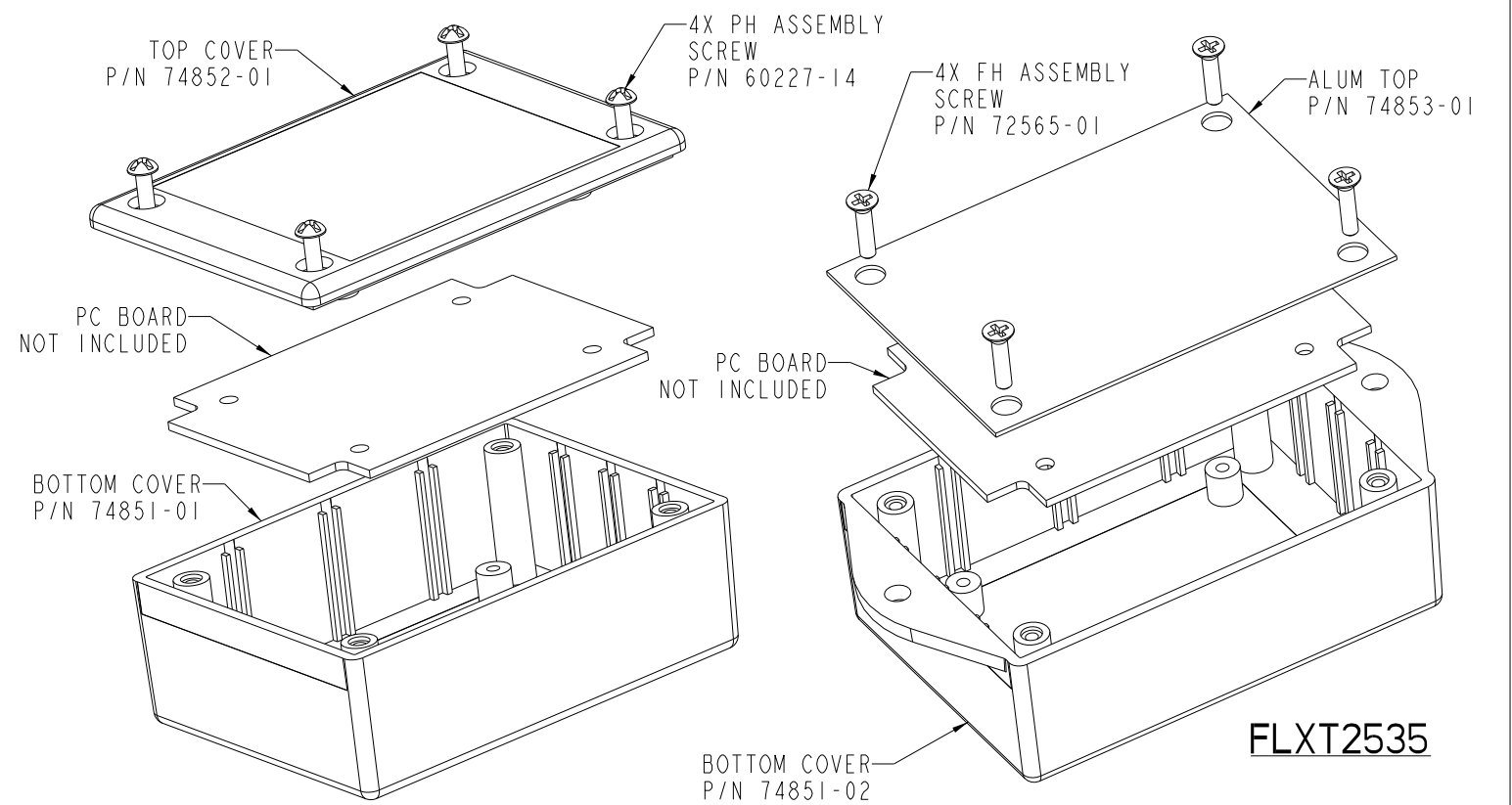
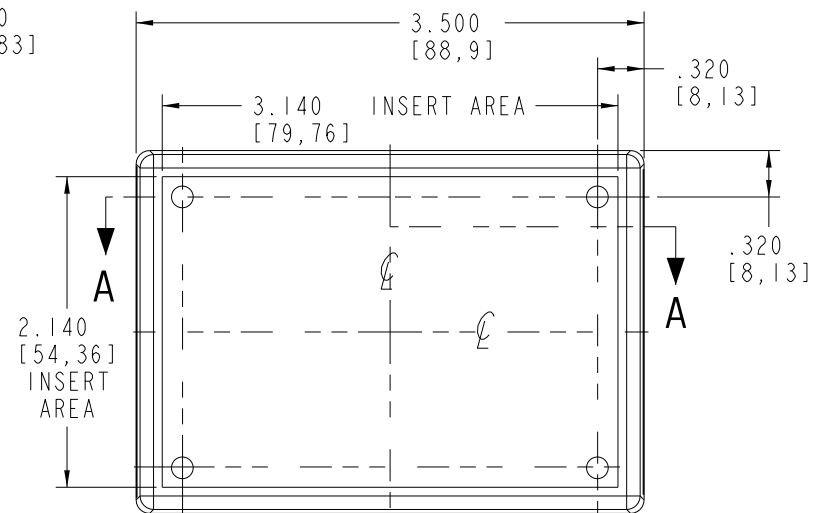
SECTION D-D



RECOMMENDED PCB LAYOUT



SECTION A-A



FLX2535

FLXT2535

PACINTEC®
 1-610-361-4200
FLX2535
FLXT2535

VISIT **PACINTEC®**
 ON THE WORLD WIDE WEB
www.pactecenclosures.com

COLOR / MATERIAL CODE		
COLOR	94HB	94VO
BLACK	000	028
P.C.BONE	039	060

DRAWING NUMBER	REV
74978	B