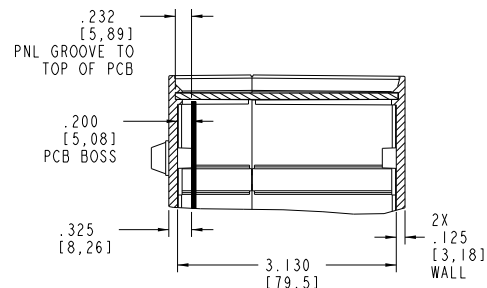
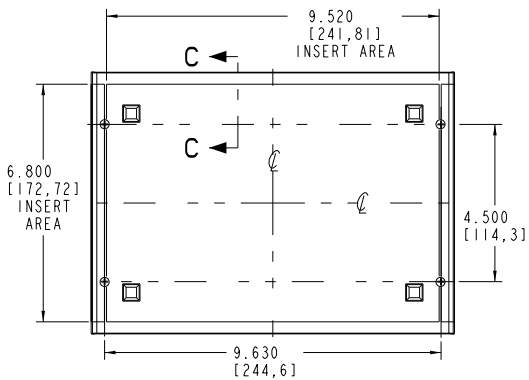
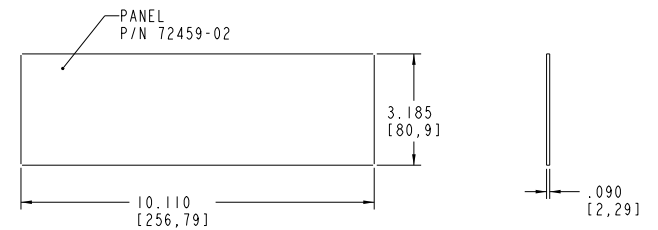


SECTION A-A

SECTION B-B



SECTION C-C  
SCALE 1:200



**PACINTEC®**  
1-610-361-4200

**BM-3**

VISIT **PACINTEC®**  
ON THE WORLD WIDE WEB  
[www.pactecenclosures.com](http://www.pactecenclosures.com)

COLOR / MATERIAL CODE	
COLOR	94HB 94VO
BLACK	000 028
P. C. BONE	039 060

DRAWING NUMBER	REV
77704	C